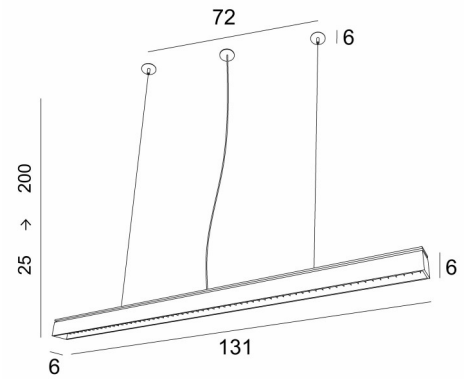
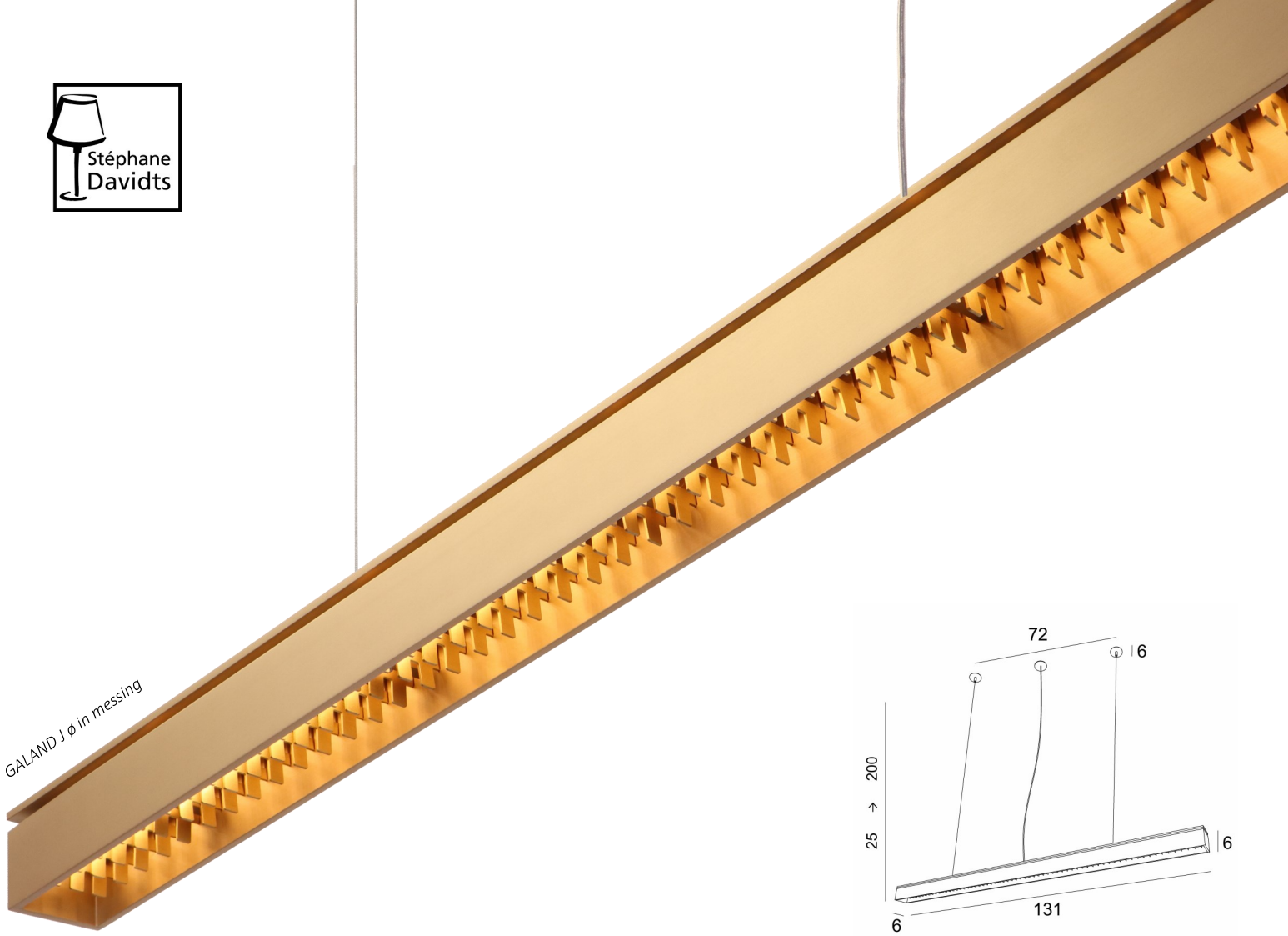




GALAND J ø in messing



## GALAND J ø

4700

designed by Nicolas Galand

Superb suspension designed and developed by Nicolas GALAND, a talented Belgian designer. This suspension in brass is composed of two luminous elements, the lower part is made out of fins that filter the light and the upper part has a small opening that creates a discrete atmosphere.

### SIZE

Total height : 25 → 200cm

Length x width x height : 131 x 6 x 6cm

Steel cables (2m) and transparent power cable (2m)

Three ceiling covers : ø60mm

### INSTALLATION ON FALSE CEILINGS


Two fixings each with three anchor points to place the two steel cables.


A ø50mm round cutout in the false ceiling for the driver.

The cover with clips to close this opening and from which the power cable comes out.

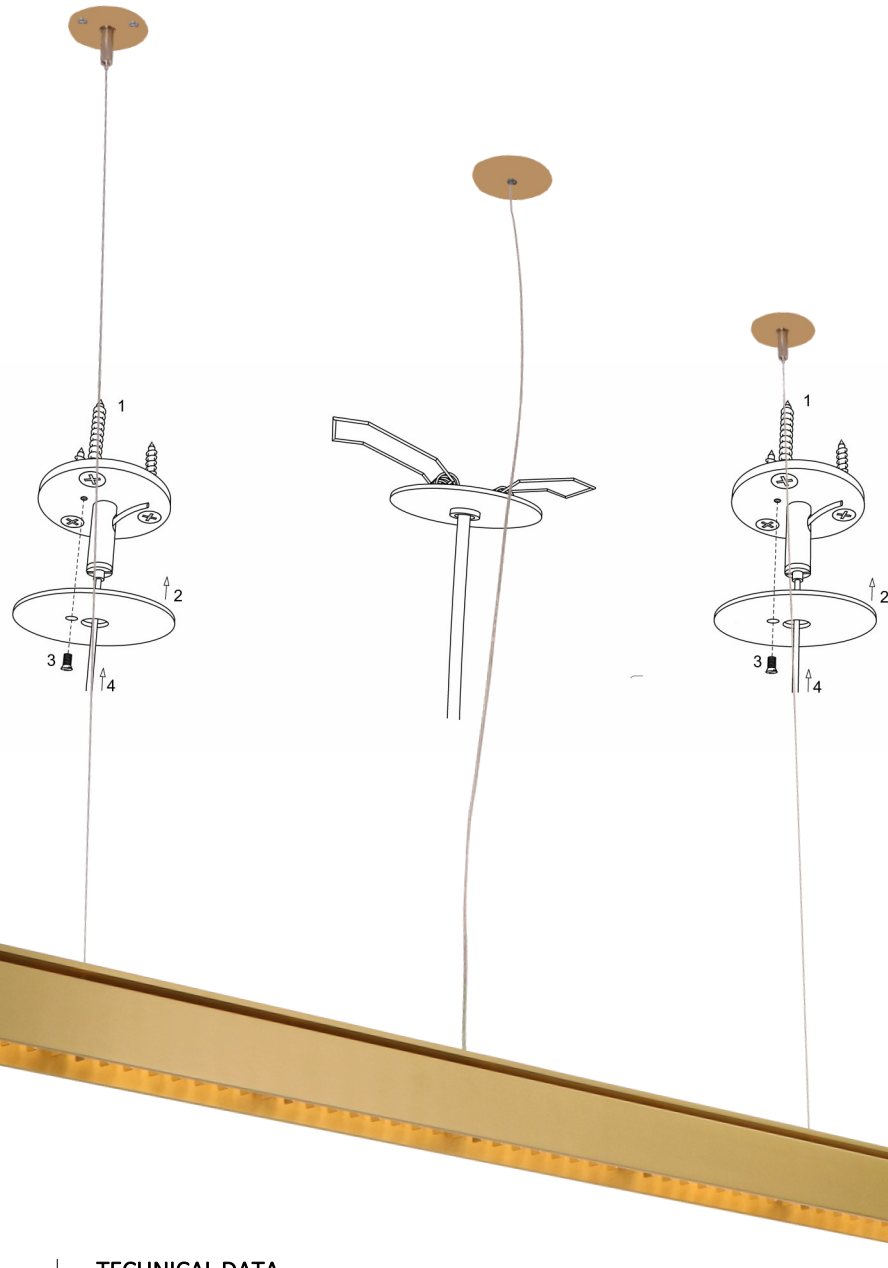
This suspension is also available with a rectangular ceiling base to accommodate the driver and cable attachments. See [GALAND J #](#). This is suitable for any other ceiling.

### AVAILABLE FINISHES & CODES

 Brushed brass - 4700 025

 Light bronze - 4700 028

**LIGHTING COLLECTION**



GALAND J Ø in light bronze

# GALAND J Ø

4700

designed by Nicolas Galand

## TECHNICAL DATA

Source	LED strips
Electricity	220-240V / 50-60Hz
Consumption	47,50W
Brightness	4.050 lm (82,25 lm/W)
Colour temperature	2700°K (warm light)
CRI	Ra>90
Power supply	transparent PVC cable 2x0,75mm <sup>2</sup>
LED driver	50W - 24V - CV
Dimmable	only with interface DALI (optional module)
Class	III
Security indicator	IP20
Location	indoor
Fixation	on false ceiling by means of two steel cables height-adjustable suspension on installation
Weight	9 Kg
Options	rectangular base for the LED driver longer cables dimmable module : DALI or TOUCH 1-10V

