

FR MONTAGE DE LA **SUSPENSION TUBES NOURRICE**

1. Passez les fils dans le tube A.
2. Vissez ce tube dans le trou fileté de la *nourrice*.
3. Glissez le tube B dans le tube A en faisant suivre les fils électriques. Pour diminuer la hauteur de la suspension, le tube B peut être raccourci au moyen d'une petite scie à métaux.
4. Ajustez la hauteur de la suspension en serrant la petite vis du tube A à l'aide de la clé allen qui vous est fournie.
5. Fixez le tube B sur la base C à l'aide de la rondelle éventail, de l'écrou hexagonal et d'une clé ronde de 13mm.
6. Fixez la patère de fixation D au plafond et raccordez le fil de terre à la connexion prévue sur la patère.
7. Raccordez votre arrivée de courant aux connexions électriques de la suspension et fixez la base C sur la patère de fixation D à l'aide des vis latérales.
8. Placez l'abat-jour (avec fixation spéciale) entre les deux pièces de la nourrice.

NL MONTAGE VAN DE **SUSPENSION TUBES NOURRICE**

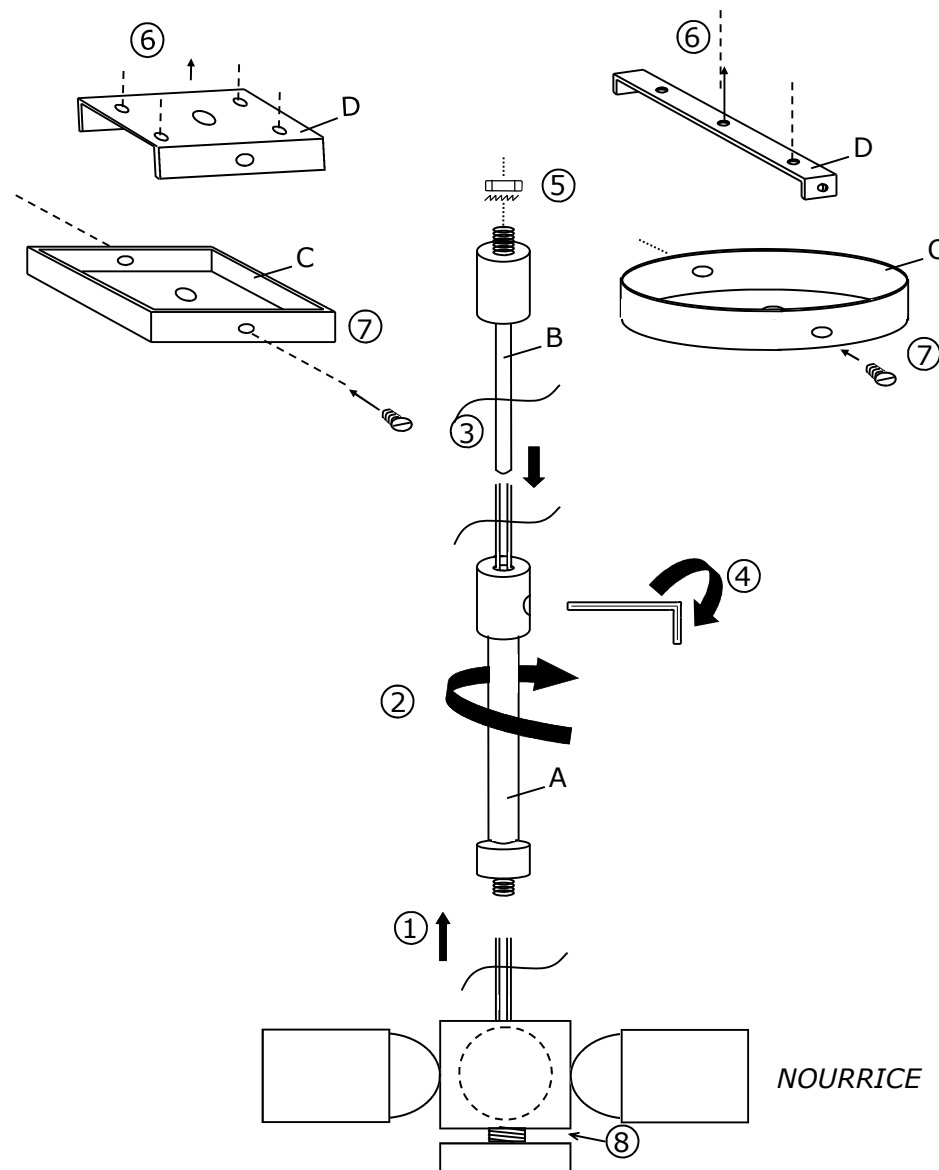
1. Glij de draden door buis A.
2. Schroef buis A in de voorziene schroefdraad van de *nourrice*.
3. Glijd de buis B in de buis A en laat de elektrische draden volgen. Om de hoogte van de hanglamp te verminderen kan de buis B dmv een metaalzaagje ingekort worden.
4. Stel de hoogte van de hanglamp in door middel van het vastdraaien van de schroefje van buis A, met behulp van een inbusleutel die werd meegeleverd.
5. Bevestig de buis B aan basis C met behulp van grower, hexagonale moer en draai het geheel vast met een ronde sleutel van 13mm.
6. Bevestig fixatieplaat D tegen het plafond en verbind de aardingsdraad aan de voorziene bevestiging op de fixatieplaat.
7. Verbind de stroomtoegang aan de elektrische aansluitingen van de hanglamp en bevestig basis C op fixatieplaat D met behulp van de zijdelingse schroeven.
8. De lampenkap plaatst zich op deze plaats (een speciale bevestiging dient voorzien te worden in de lampenkap)

EN MOUNTING OF THE **SUSPENSION TUBES NOURRICE**

1. Slide the wires through the tube A.
2. Screw tube A in the provided screw thread in the *nourrice*.
3. Slide the tube B in the tube A and let following the electric wires. To reduce the height of the suspension, the tube B can be shortened by means of a small hacksaw.
4. Set the height of the suspension by tightening the screw of the tube A, using the included allen key.
5. Attach the tube B to base C, using the grower and the hexagonal screw, and fix everything with a 13mm round key.
6. Attach the ceiling plate D against the ceiling and connect the earth wire to the provided connection on the ceiling plate.
7. Connect the power access to the electrical connections of the suspension and attach base C to the ceiling plate D, using the lateral screws.
8. The shade installs itself on this place (a special attachment needs to be provided in the shade)

DE MONTAGE DER **SUSPENSION TUBES NOURRICE**

1. Schieben Sie die Drähte durch das Rohr A.
2. Schrauben Sie Rohr A in das Gewindebohrung von die *Nourrice*.
3. Schieben Sie das Rohr B in das Rohr A, und lassen Sie die elektrischen Leitungen folgen. Um die Pendelleuchte in der Höhe zu verstellen, können Sie das Rohr B mittels einer kleinen Metallsäge einkürzen.
4. Stellen Sie die Höhe von der Pendelleuchte ein durch leichte Befestigung der Schraube von Rohr A, mit dem mitgelieferten Inbuschlüssel.
5. Befestigen Sie Rohr B an der Basis C mit den Unterlegscheibe, die Sechskantschraube und mit einem runden 13mm Schlüssel.
6. Befestigen Sie die Montageplatte D an der Decke und schließen Sie die Erdung an die zur Verfügung gestellte Verbindung an der Montageplatte an.
7. Schließen Sie die elektrische Zuleitung an die elektrischen Anschlüsse der Pendelleuchte an und fixieren Sie die Basis C auf der Montageplatte D mit den seitlichen Schrauben.
8. Die Lampenschirm stellt sich an dieser Stelle (mit eine spezielle Befestigung in den Lampenschirm).



NOURRICE

SUSPENSION TUBES NOURRICE





Manufacturer : DAVIDTS LIGHTING – Brussels – Belgium – www.davidts.com

Installation and security instructions (please read and save)

This luminaire is manufactured according to European directives and standards relating to quality and safety of lighting fixtures. A declaration of conformity is available by downloading on our site.

Description of the lighting

Lighting for fixing to the wall or ceiling. More pictures, drawings and complete descriptions are available on our website.

Environmental protection

Our packaging is made from 100% recyclable or re-usable material. For care of the environment please sort or recycle. Fluorescent bulbs and waste electrical equipment should not be disposed of with household waste please take to a recycling facility. This fixture is essentially composed of solid brass. This metal and other elements are fully recyclable. At end of life, if you take the fixture to a recycling facility, each metal will be recovered for new metal production.

Installation of the lighting

This lighting is only intended for indoor use, it must be installed away from moisture, splashing and sources of heat. Suitable for direct mounting on normally flammable surfaces. Before starting the installation, ensure the electrical supply is OFF at the circuit breaker in the consumer unit. Only switching OFF at the wall switch is not adequate. Carefully remove all packaging. All of our fixtures are fixed to the wall or to the ceiling by means of a mounting plate (placement is done by means of screws and dowels, not supplied). Some of our luminaires have more detailed installation instructions (attached to this document). Please read carefully before starting the installation. If you have any doubt about the installation of this lighting, please contact a qualified electrician.

Inserting or replacing a bulb

Always ensure the electrical supply is OFF before this operation. If necessary, let the old bulb to cool for 10 minutes before removing. Place the bulb without forcing into the fitting. Do not directly touch it with the fingers, but with a cloth (fingerprints reduce the lifetime of a bulb). Be always attentive to the choice of a bulb, never exceed the maximum power (W) authorized, indicated on the labels of the light fitting. If an integral LED bulb attached to the fixture is defective, please contact your distributor.

Maintenance of your lighting

Because smoke and dust particles in the air are attracted by a heat source, a deposit will appear on the fixture in the course of time. For maintenance, allow the bulb to cool for at least 10 minutes. Clean the fixture with a paper towel soaked with glass cleaner. Never use solvents, abrasive or corrosive products. Never immerse the fixture in water. If the wires are damaged, they must be replaced by a qualified electrician. This fixture must never be modified as this can make it dangerous to use.