

FR PLACEMENT de l'abat-jour IKHEM

1. Dévissez les 2 vis.
2. Faites glisser et tomber la douille et son support sur le côté droit de l'arche rectangulaire.
3. Par la droite du luminaire, engagez l'abat-jour de 10cm dans l'arche. Attention, veillez à ce que l'abat-jour ait sa couture à l'arrière du luminaire.
4. La fixation dans l'abat-jour est à l'aplomb de la douille. Retirez la bague supérieure de la douille et fixez la douille à l'abat-jour tout en laissant du jeu entre les deux bagues.
5. Glissez l'abat-jour au centre et revissez les 2 vis. Pour terminer, corrigez le serrage des deux bagues de fixation de la douille.

NL PLAATSING van de IKHEM lampenkap

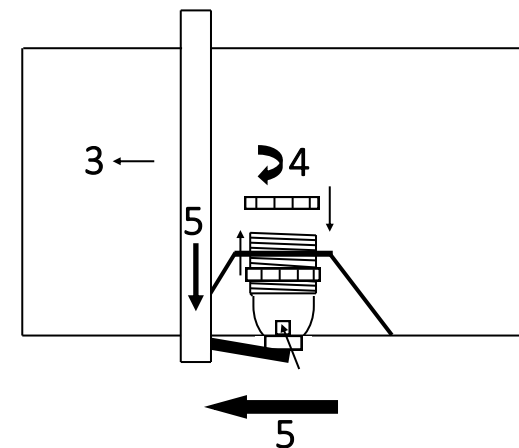
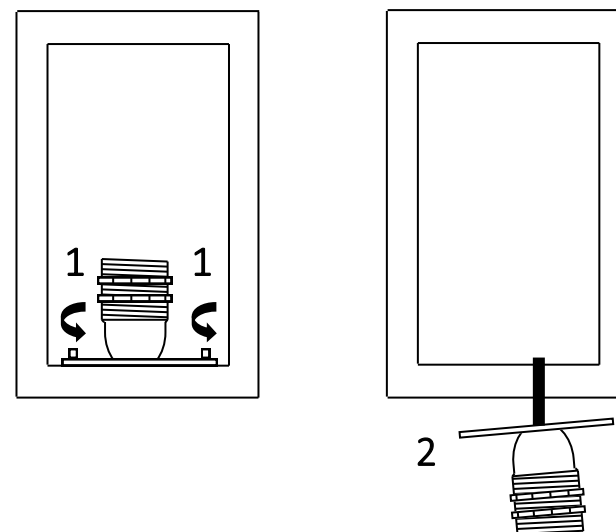
1. Maak de 2 schroeven los.
2. Laat de fitting en zijn plaat glijden aan de rechterkant van de rechthoekige arch.
3. Ga via de rechterkant van het toestel en plaats de lampenkap 10cm in de arch. Opgepast, let erop dat de naad van de lampenkap zich aan de achterkant van het toestel bevindt.
4. De bevestiging, in de lampenkap, bevindt zich verticaal van de fitting. Verwijder de bovenste ring van de fitting en bevestig de fitting aan de lampenkap terwijl u een speling laat tussen de 2 ringen om aan te passen.
5. Laat de lampenkap glijden tot in het midden en draai de 2 schroeven weer aan. Om te eindigen, regel de bevestiging van de twee ringen van de fitting.

EN PLACEMENT of the IKHEM lampshade

1. Loosen the 2 screws.
2. Let the fitting and his plate slide on the right side of the rectangular arch
3. Go through the right side of the luminaire and place the lampshade 10cm in the arch. Beware, make sure that the seam of the lampshade is placed on the back of the luminaire.
4. The fixing, in the lampshade, is vertically from the fitting and its plate. Remove the top ring of the fitting and attach the fitting to the lampshade while you let a space between the two rings to adjust.
5. Let the lampshade sliding until the middle and tighten the 2 screws back on. To finish, line the fixing of the two rings of the fitting.

DE PLAZIERUNG des IKHEM Lampenschirm

1. Lösen Sie die 2 Schrauben.
2. Lassen Sie die Fassung und seine Platte gleiten auf der rechten Seite des rechteckigen Arche.
3. Gehen Sie über die Rechte Seite des Leuchte und plazieren des Lampenschirm 10cm in der Arche. Vorsicht, stellen Sie sicher, dass die Naht des Lampenschirm auf der Rückseite des Gerätes sich befindet.
4. Der Befestigung, in den Lampenschirm, ist vertikal von der Fassung und der Platte. Entfernen Sie den oberen Ring der Fassung und fixieren Sie der Fassung an der Lampenschirm, während daß Sie ein Abstand zwischen die 2 Ringe lassen.
5. Lassen Sie den Lampenschirm bis in die Mitte schieben und ziehen Sie die 2 Schrauben wieder auf. Abschließend, lösen Sie der Klemmung der beiden Ringe des Fassung.



IKHEM





Manufacturer : DAVIDTS LIGHTING – Brussels – Belgium – www.davidts.com

Installation and security instructions (please read and save)

This luminaire is manufactured according to European directives and standards relating to quality and safety of lighting fixtures. A declaration of conformity is available by downloading on our site.

Description of the lighting

Lighting for fixing to the wall or ceiling with handmade lampshade(s) with a soft and pleasant light distribution. More pictures, drawings and complete descriptions are available on our website.

Environmental protection

Our packaging is made from 100% recyclable or re-usable material. For care of the environment please sort or recycle. Fluorescent bulbs and waste electrical equipment should not be disposed of with household waste please take to a recycling facility. This fixture is essentially composed of solid brass. This metal and other elements are fully recyclable. At end of life, if you take the fixture to a recycling facility, each metal will be recovered for new metal production.

Installation of the lighting

This lighting is only intended for indoor use, it must be installed away from moisture, splashing and sources of heat. Suitable for direct mounting on normally flammable surfaces. Before starting the installation, ensure the electrical supply is OFF at the circuit breaker in the consumer unit. Only switching OFF at the wall switch is not adequate.

Carefully remove all packaging. All of our fixtures are fixed to the wall or to the ceiling by means of a mounting plate (placement is done by means of screws and dowels, not supplied). Some of our luminaires have more detailed installation instructions (attached to this document). Please read carefully before starting the installation.

If your light lighting has a fitting with lampshade ring, unscrew it in order to secure the lampshade to the fitting. If the lampshade is made with a seam, make sure that it is positioned towards the back of the light. Screw down the ring carefully. Place the bulb (not supplied) without forcing into the fitting. If necessary straighten the lampshade, only by carefully flexing the metal rods of the lampshade.

If you have any doubt about the installation of this lighting, please contact a qualified electrician.

Inserting or replacing a bulb

Always ensure the electrical supply is OFF before this operation. If necessary, let the old bulb to cool for 10 minutes before removing. Place the bulb without forcing into the fitting. Do not directly touch it with the fingers, but with a cloth (fingerprints reduce the lifetime of a bulb). Be always attentive to the choice of a bulb, never exceed the maximum power (W) authorized, indicated on the labels of the light fitting. If an integral LED bulb attached to the fixture is defective, please contact your distributor.

Maintenance of your lampshades

When your lampshade is dusted use only a brush suitable for delicate fabrics. Never rub the lampshade with a damp cloth or with water. Stains or marks on lampshades can't be removed, attempting removal will risk increasing the surface of the stain. In the case of a disaster, only a new lampshade can recover the original beautiful aspect and clarity of your lighting. To do this please contact your distributor.

Maintenance of your lighting

Because smoke and dust particles in the air are attracted by a heat source, a deposit will appear on the fixture in the course of time. For maintenance, allow the bulb to cool for at least 10 minutes. Clean the fixture with a paper towel soaked with glass cleaner. Never use solvents, abrasive or corrosive products. Never immerse the fixture in water. If the wires are damaged, they must be replaced by a qualified electrician. This fixture must never be modified as this can make it dangerous to use.