

FR MONTAGE de la suspension ALBATROS

1. Passez les fils dans le tube A (110cm de long). Pour diminuer la hauteur de votre suspension, le tube A peut être raccourci au moyen d'une scie à métaux.
2. Vissez le tube A dans le trou fileté de la suspente rectangulaire. Répétez cette opération pour le deuxième tube A.
3. Fixez les manchons B sur le boîtier C et serrez le tout à l'aide des rondelles éventails, des écrous hexagonaux et d'une clé de 13mm.
4. Glissez les manchons B sur les tubes A en faisant suivre les fils électriques. Ajustez la hauteur de la suspension en serrant les petites vis des manchons B à l'aide de la clé Allen qui vous est fournie.
5. Fixez la patère D au plafond et raccordez le fil de terre à la connexion prévue.
6. Raccordez votre arrivée de courant aux connexions électriques de la suspension et fixez le boîtier C sur la patère D à l'aide des deux vis latérales.

NL MONTAGE van de hanglamp ALBATROS

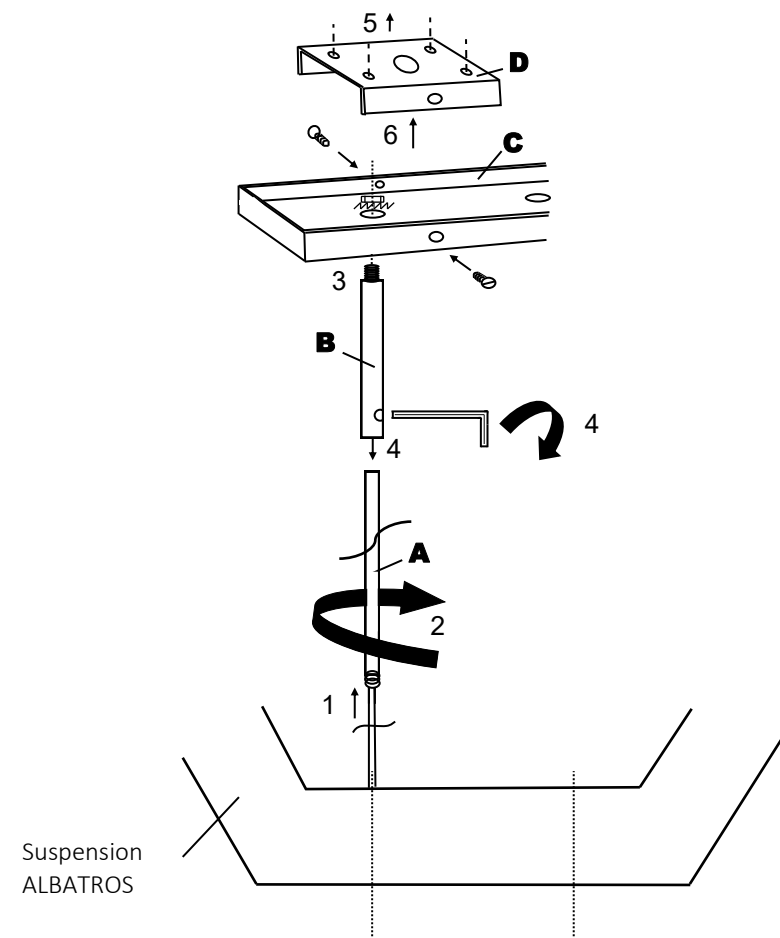
1. Glijd de draden door buis A (110cm lang). Om de hoogte van de hanglamp te verminderen kan de buis A d.m.v. een metaalzaag korter gemaakt worden.
2. Schroef buis A in de voorziene schroefdraad van de zwevende basis. Herhaal deze operatie voor de tweede buis.
3. Bevestig de buizen B aan basis C met behulp van de ringen, de hexagonale moeren en met een ronde sleutel van 13mm.
4. Glijd de buizen B op de buizen A en laat de elektrische draden volgen. Stel de hoogte van de hanglamp in door de kleine schroeven van de buizen B vast te draaien door middel van de inbussleutel die meegeleverd is.
5. Bevestig de fixatieplaat D aan het plafond en bevestig de aarding aan de voorziene aansluiting.
6. Verbind de stroomtoegang aan de elektrische aansluitingen van de hanglamp en bevestig basis C op de fixatieplaat D met behulp van de 2 zijschroeven.

EN MOUNTING of the suspension ALBATROS

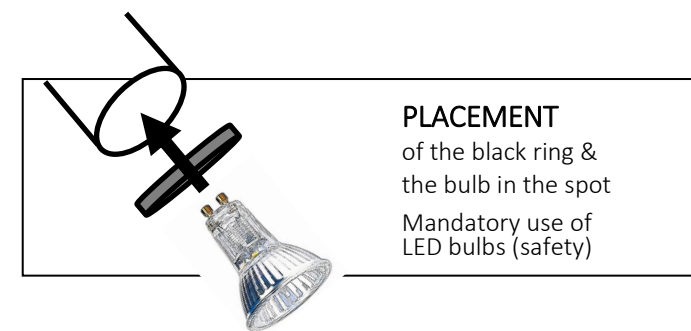
1. Slide the wires through tube A (110cm long). To adjust the height of the suspension, tube A can be made shorter by a metal saw.
2. Screw tube A in the provided screw thread from the floating base. Repeat this operation for the other tube.
3. Attach the tubes B to the base C, using the washers and the hexagonal screws, and fix everything with a 13mm round key.
4. Slide tubes B on the tubes A and let follow the electric wires. Set the height of the suspension in through tightening the small screws from tubes B with the included Allen wrench.
5. Attach the ceiling plate D to the ceiling and attach the grounding wire to the provided connection.
6. Connect the power access to the electrical connections of the suspension and attach base C on the ceiling plate D using the 2 side screws.

DE MONTAGE der Pendelleuchte ALBATROS

1. Schieben Sie die Drähte durch Rohr A (110cm lange). Um die Pendelleuchte in der Höhe zu verstellen, können Sie Rohr A mittels einer kleinen Metallsäge einkürzen.
2. Schrauben Sie Rohr A in der Gewindebohrung von der hängenden Basis (mit Spots). Wiederholen Sie diesen Vorgang für das andere Rohr.
3. Befestigen Sie die Rohre B an der Basis C mit den Unterlegscheiben, die Sechskantschrauben und mit einem runden 13mm Schlüssel.
4. Schieben Sie Rohr B auf das Rohr A und lassen Sie die elektrischen Leitungen folgen. Stellen Sie die Höhe von der Pendelleuchte ein durch leichte Befestigung von den Schrauben von den Rohren B, mit dem mitgelieferten Inbusschlüssel.
5. Befestigen Sie die Montageplatte D an der Decke und schließen Sie die Erdung an die zur Verfügung gestellte Verbindung an der Montageplatte an.
6. Schließen Sie die elektrische Zuleitung an die elektrischen Anschlüsse der Pendelleuchte an und fixieren Sie die Basis C auf der Montageplatte D mit den seitlichen Schrauben.



Suspension ALBATROS



ALBATROS





Manufacturer : DAVIDTS LIGHTING – Brussels – Belgium – www.davidts.com

Installation and security instructions (please read and save)

This luminaire is manufactured according to European directives and standards relating to quality and safety of lighting fixtures. A declaration of conformity is available by downloading on our site.

Description of the lighting

Lighting for fixing to the wall or ceiling. More pictures, drawings and complete descriptions are available on our website.

Environmental protection

Our packaging is made from 100% recyclable or re-usable material. For care of the environment please sort or recycle. Fluorescent bulbs and waste electrical equipment should not be disposed of with household waste please take to a recycling facility. This fixture is essentially composed of solid brass. This metal and other elements are fully recyclable. At end of life, if you take the fixture to a recycling facility, each metal will be recovered for new metal production.

Installation of the lighting

This lighting is only intended for indoor use, it must be installed away from moisture, splashing and sources of heat. Suitable for direct mounting on normally flammable surfaces. Before starting the installation, ensure the electrical supply is OFF at the circuit breaker in the consumer unit. Only switching OFF at the wall switch is not adequate. Carefully remove all packaging. All of our fixtures are fixed to the wall or to the ceiling by means of a mounting plate (placement is done by means of screws and dowels, not supplied). Some of our luminaires have more detailed installation instructions (attached to this document). Please read carefully before starting the installation. If you have any doubt about the installation of this lighting, please contact a qualified electrician.

Inserting or replacing a bulb

Always ensure the electrical supply is OFF before this operation. If necessary, let the old bulb to cool for 10 minutes before removing. Place the bulb without forcing into the fitting. Do not directly touch it with the fingers, but with a cloth (fingerprints reduce the lifetime of a bulb). Be always attentive to the choice of a bulb, never exceed the maximum power (W) authorized, indicated on the labels of the light fitting. If an integral LED bulb attached to the fixture is defective, please contact your distributor.

Maintenance of your lighting

Because smoke and dust particles in the air are attracted by a heat source, a deposit will appear on the fixture in the course of time. For maintenance, allow the bulb to cool for at least 10 minutes. Clean the fixture with a paper towel soaked with glass cleaner. Never use solvents, abrasive or corrosive products. Never immerse the fixture in water. If the wires are damaged, they must be replaced by a qualified electrician. This fixture must never be modified as this can make it dangerous to use.