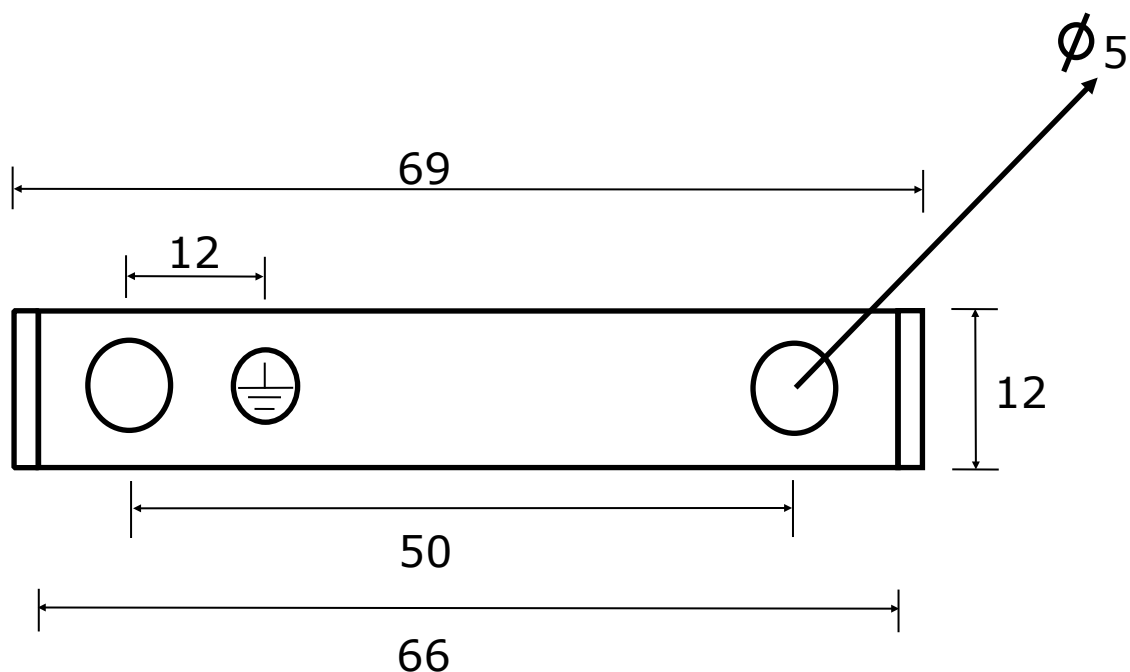


# LUNGO ST



DAVIDTS LIGHTING

Chaussée de Waterloo, 848-856 - B-1180 Brussels - Belgium

Phone +32.2.375.76.46 - [info@davidts.com](mailto:info@davidts.com) - [www.davidts.com](http://www.davidts.com)