

## FR NOTE IMPORTANTE AVANT LE DEBALLAGE

Afin d'assembler ce luminaire aisément, il convient dans un premier temps, en déballant, de **ne pas couper** le lien qui relie le cordon électrique aux tubes coulés.

### Ensuite :

1. Visser la barre ronde B sur le socle A
2. Visser ensuite toute la partie supérieure (tubes coulés + coulisses + cordon électrique) au moyen du raccord fileté C sur le haut de la barre B. Pour ce faire, effectuer une rotation de l'ensemble dans le sens des aiguilles d'une montre, tout en maintenant les deux coulisses D l'une contre l'autre.
3. Ensuite couper le lien pour libérer le cordon électrique.
4. La vis E permet le réglage en hauteur et la vis F le réglage en profondeur. Le serre-fil G permet de bloquer le cordon électrique et de positionner la douille de l'abat-jour à la hauteur souhaitée.

## NL BELANGRIJKE NOTA VOOR HET UITPAKKEN

Om een gemakkelijke assemblage te bekomen, adviseren wij U bij het uitpakken, het houdertje rond de elektrische draad en de buis te laten (**niet snijden**).

### Dan :

1. Vijs de ronde staaf B op de voet A
2. Bevestig dan het volledige bovengedeelte (gebogen buis + glijstuk + elektrische draad) met behulp van de schroefdraad C op de bovenkant van de staaf B. Om dit te doen maakt u een rotatie van het geheel in de richting van de wijzers van de klok, terwijl u de twee glijstukken D tegen elkaar houdt.
3. Vervolgens knipt U het houdertje door dat de elektrische draad zal loslaten.
4. De vijs E staat u toe de hoogte te regelen en de vijs F geeft u de mogelijkheid om de diepte te bepalen. De draadklem G staat u toe de elektrische draad te blokkeren en de fitting van de lampenkap te positioneren op de gewenste hoogte.

## EN IMPORTANT NOTE BEFORE UNPACKING

In order to assemble the lamp easily, we advise you by unpacking, to leave the link that connects the power cord to the bent tubes (**not cut**).

### Then:

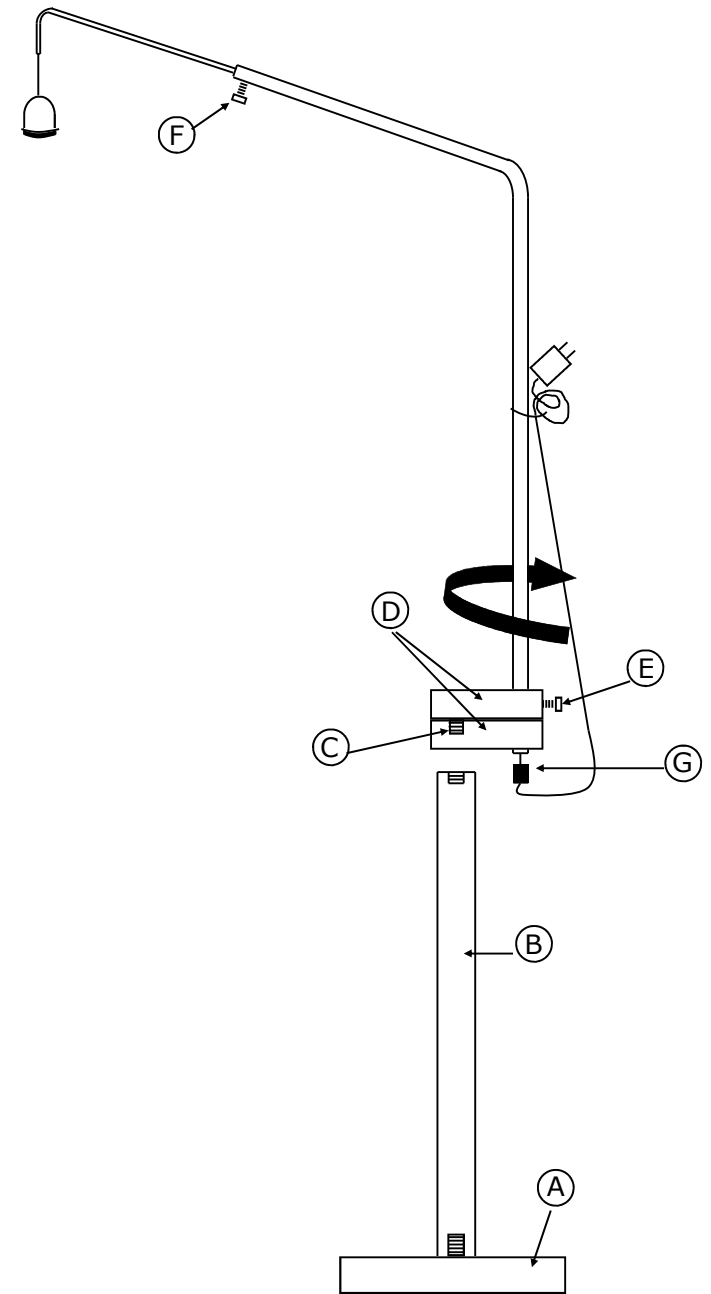
1. Screw the round bar B on the base A
2. Fix then the whole top (bent tubes + sliding part + power cable) through the screw thread C on the top of the tube B. To do this, perform a rotation of the whole in the clockwise sense, while putting the 2 sliding parts together.
3. Then cut the link to release the power cable.
4. The screw E allows the height adjustment and F the depth adjustment. The wire clamp G allows you to block the electric cord and the positioning of the fitting of the shade to the desired height.

## DE WICHTIGER HINWEIS VOR DEM ENTPACKEN

Um die Leuchte leicht zu montieren, empfehlen wir Ihnen nach dem Auspacken, die Halterung um den elektrischen Draht zu lassen, der das Netzkabel mit der gebogenen Rohren verbundet (**nicht schneiden**).

### Dann:

1. Schrauben Sie das runde Rohr B auf der Basis A.
2. Dann fixieren Sie die ganze obere (gebogenen Rohren + Schiebeteil + Netzkabel) durch das Schraubengewinde C auf das Rohr B. Um dies zu tun, führen Sie eine Drehung des ganzen im Uhrzeigersinn, wobei die 2 gleiding Teile ineinander eingeschoben werden.
3. Dann schneiden Sie den Link um das Stromkabel zu lösen.
4. Die Schraube E ermöglicht die Höheverstellung und F die Tiefe einstellung. Die Draht-Klemme G ermöglicht es Ihnen, das Stromkabel und die Positionierung des Fassungs der Lampenschirm auf die gewünschte Höhe zu blockieren.



# ELEPHANTINE





Manufacturer : DAVIDTS LIGHTING – Brussels – Belgium – [www.davidts.com](http://www.davidts.com)

## **Installation and security instructions** (please read and save)

This luminaire is manufactured according to European directives and standards relating to quality and safety of lighting fixtures. A declaration of conformity is available by downloading on our site.

### **Description of the lighting**

Lighting to place on a table or on the floor with handmade shade(s) with a soft and pleasant light distribution. More pictures, drawings and complete descriptions are available on our website.

### **Environmental protection**

Our packaging is made from 100% recyclable or re-usable material. For care of the environment please sort or recycle. Fluorescent bulbs and waste electrical equipment should not be disposed of with household waste please take to a recycling facility. This fixture is essentially composed of solid brass. This metal and other elements are fully recyclable. At end of life, if you take the fixture to a recycling facility, each metal will be recovered for new metal production.

### **Installation of the lighting**

This lighting is only intended for indoor use, it must be installed away from moisture, splashing and sources of heat. Suitable for direct mounting on normally flammable surfaces.

Carefully remove all packaging. Some of our luminaires have more detailed installation instructions (attached to this document). Please read carefully before starting the installation.

If your light lighting has a fitting with shade ring, unscrew it in order to secure the shade to the fitting. If the shade is made with a seam, make sure that it is positioned towards the back of the light. Screw down the ring carefully. Place the bulb (not supplied) without forcing into the fitting. If necessary straighten the shade, only by carefully flexing the metal rods of the shade.

If you have any doubt about the installation of this lighting, please contact a qualified electrician.

### **Inserting or replacing a bulb**

Always ensure the electrical supply is OFF before this operation. If necessary, let the old bulb to cool for 10 minutes before removing. Place the bulb without forcing into the fitting. Do not directly touch it with the fingers, but with a cloth (fingerprints reduce the lifetime of a bulb). Be always attentive to the choice of a bulb, never exceed the maximum power (W) authorized, indicated on the labels of the light fitting. If an integral LED bulb attached to the fixture is defective, please contact your distributor.

### **Maintenance of your shades**

When your shade is dusted use only a brush suitable for delicate fabrics. Never rub the shade with a damp cloth or with water. Stains or marks on shades can't be removed, attempting removal will risk increasing the surface of the stain. In the case of a disaster, only a new shade can recover the original beautiful aspect and clarity of your lighting. To do this please contact your distributor.

### **Maintenance of your lighting**

Because smoke and dust particles in the air are attracted by a heat source, a deposit will appear on the fixture in the course of time. For maintenance, allow the bulb to cool for at least 10 minutes. Clean the fixture with a paper towel soaked with glass cleaner. Never use solvents, abrasive or corrosive products. Never immerse the fixture in water. If the wires are damaged, they must be replaced by a qualified electrician. This fixture must never be modified as this can make it dangerous to use.