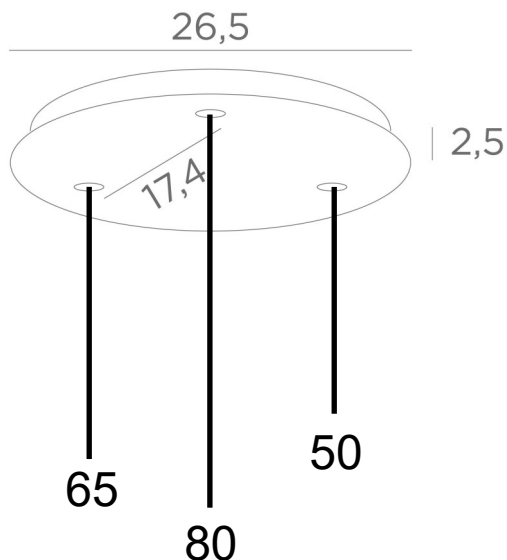




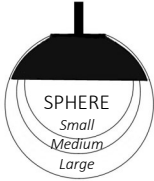
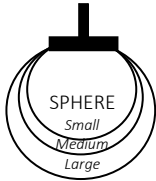


# CEILING BASE 3 o26

Standard configuration :



Desired overall height, pendants included  
..... cm

Fittings, pendants and standard heights

					
21cm	29cm	24-34cm	27-35cm	16,5cm	19,5cm
<b>E27 R</b> KERMA structure <input type="checkbox"/>	<b>E27 X</b> Bulb Artémis Ø165mm <input type="checkbox"/>	<b>CABLING LUNA</b> E14/E27 <input type="checkbox"/>	<b>CABLING FORYOU</b> E27 <input type="checkbox"/>	<b>E27 L</b> Bulb Ø95mm <input type="checkbox"/>	<b>E27 L</b> Bulb Ø125mm <input type="checkbox"/>
Tot. H103,5cm	Tot. H111,5cm	Tot. H116,5cm	Tot. H117,5cm	Tot. H99cm	Tot. H102cm

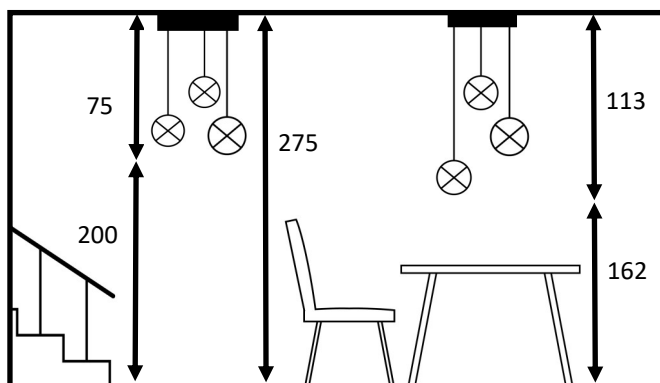
Finish of the ceiling base and the fittings :

- Brushed Bronze  Structured black  Light Bronze  Brushed Brass  Structured white

Color of the textile cable :

- BLACK  GOLD  WHITE  GREY

Usual situations



**DAVIDTS LIGHTING**  
Chaussée de Waterloo, 846-856  
B - 1180 Brussels - Belgium  
T +32.2.375.76.46 - F +32.2.375.82.65  
info@davidts.com - www.davidts.com