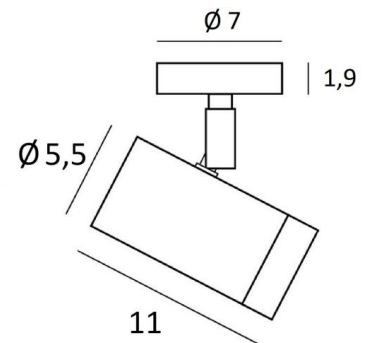




## LUNGO ST



LUNGO ST in brushed bronze. Metal finish code: 29



**LUNGO ST** is a spotlight, mounted on a small round base, easy to install

The design of the **LUNGO** spotlight is the result of an exciting quest to incorporate a GU10 bulb into a stylish, well-crafted spotlight. Elegant and highly mobile, it combines numerous qualities: robustness, charm, ease of use and efficiency. This spotlight is crafted from solid brass by experienced artisans, and the finishes on offer are truly remarkable and unsurpassed. With its GU10 fitting, changing the bulb couldn't be simpler.

**LUNGO** is available in an attractive range of six models, featuring between one and four spotlights, distributed across different bases.

### BASE

Ø7 x 1,9cm

### TECHNICAL DATA

One GU10 fitting

A spotlight mounted on a ball joint, adjustable in all directions




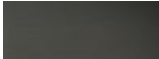
Spotlight dimensions: Ø5.5cm x L11cm

No transformer required, this spotlight operates directly on 230V

Dimmable spotlight

A fixing plate for the ceiling base ([plan in PDF](#))

### AVAILABLE METAL FINISHES AND CODES

	01 - Structured white - 5510 001
	25 - Brushed brass - 5510 025
	28 - Light bronze - 5510 028
	29 - Brushed bronze - 5510 029

