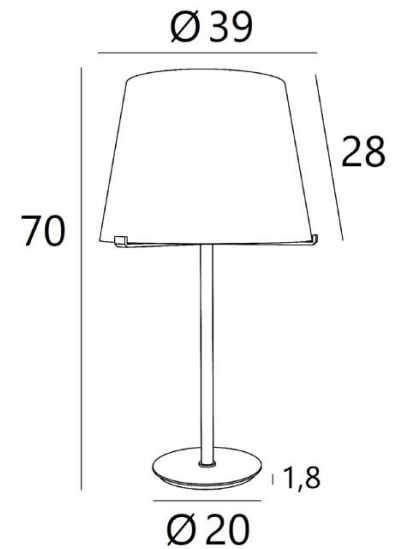




MALMÖ 2 o



MALMÖ 2 o in light bronze with lampshade in Lin Moscou (fabric from category 2)



MALMÖ 2 o is a superb table light with a conical lampshade.

With its perfect design, just the right proportions and luxurious, meticulous workmanship, this contemporary, timeless lamp will be the centre of attention

Original with its three-claw base, its elaborate base and its pretty twisted silk cord, it is enhanced by a fine choice of finishes, all of which are remarkable

A beautiful lampshade dresses up this luminaire with elegance and a wide range of fabrics, materials and colours mean you can easily integrate it into your decor. In the evening, the warmth of its lampshade will bring serenity and softness

MALMÖ 2 o is available in a smaller size, a floor light (**MALMÖ FLOOR**) and a wall light (**GÖTEBORG**)

OVERALL SIZES

H70cm Ø39cm

BASE

Ø20 x 1,8cm

TECHNICAL DATA

E27 fitting without ring

Electrical cord: switch 25cm from the base then plug 150cm away on the cable

Double-insulated black silk cable

AVAILABLE METAL FINISHES AND CODES



25 - Brushed brass - 2302 025



28 - Light bronze - 2302 028



29 - Brushed bronze - 2302 029

LAMPSHADE : SIZES & CODE

Ø28 - 38 - 28cm

Code: 2302 + fabric code

We propose more than 180 fabrics/materials/colors for lampshades

