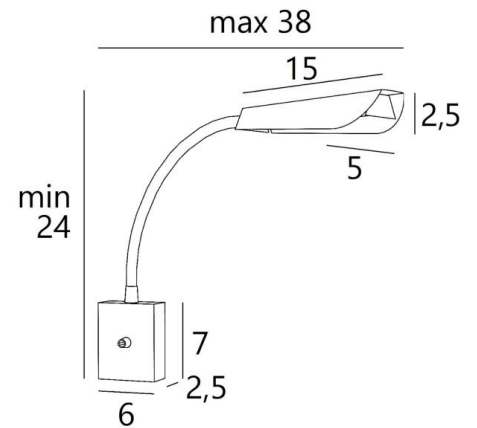




## TULIP



TULIP in light bronze. Metal finish code: 28



With its “vegetable” spotlight design, the **TULIP** reading light has everything it takes to be harmonious and elegant

The spotlight is mounted on a flex that can be oriented in all directions. It is fitted with an LED module that works without a driver. It is highly efficient and its dome diffuses a warm light

The processing of brass to create **TULIP** is admirable, and the high quality result stands out in the finishes on offer, all of which are remarkable

In a bedroom, it is very practical and allows you to read without disturbing a partner

### OVERALL SIZES

H24→52,5cm |→max 38cm

### BASE

6 x 7 x 2,5cm

### TECHNICAL DATA

LED module 230V 1,4W 165lm 2700°K

Without driver

Not dimmable reading light

A 30cm flex

The spotlight can be directed to all directions

Spotlight dimensions : 5 x 15cm

A toggle switch on the box

A fixing plate for the wall box ([plan in PDF](#))

**OPTIONS:** Push buttons for home automation system

**OPTIONS:** CE socket outlet, USB port, USB-C port

### AVAILABLE METAL FINISHES AND CODES



25 - Brushed brass - 1600 025



28 - Light bronze - 1600 028



29 - Brushed bronze - 1600 029



LIGHTING COLLECTION