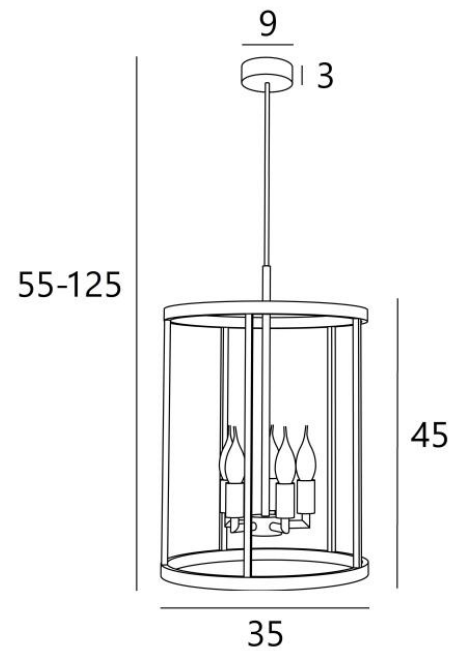




CHAMBORD o35



CHAMBORD o35 in brushed bronze. Metal finish code: 29



CHAMBORD is a lantern designed to be placed in Haussmannian-style building

CHAMBORD is a fabulous lantern that fits in perfectly with classic, trendy lighting. Its new design brings an undeniable touch of modernity. It should be placed in an entrance hall or stairwell

It is made entirely of solid brass by craftsmen who perfectly combine traditional and modern techniques.

This high-quality product is enhanced by a wide range of finishes, all of which are remarkable

CHAMBORD comes in three different shapes and sizes. Two wall lights are related to our lanterns, see

[CHEVERNY](#)

OVERALL SIZES

H55→125cm Ø35cm

BASE

Ø9 x 3cm

TECHNICAL DATA

Five E14 fittings

LED bulb Clear Flame : dim code 6809 000 (option)

Dimmable suspension

Suspension adjustable in height

On request : a longer suspension tube

A fixing plate for the ceiling base ([plan in PDF](#))

AVAILABLE METAL FINISHES AND CODES



25 - Brushed brass - 4635 025



28 - Light bronze - 4635 028



29 - Brushed bronze - 4635 029

