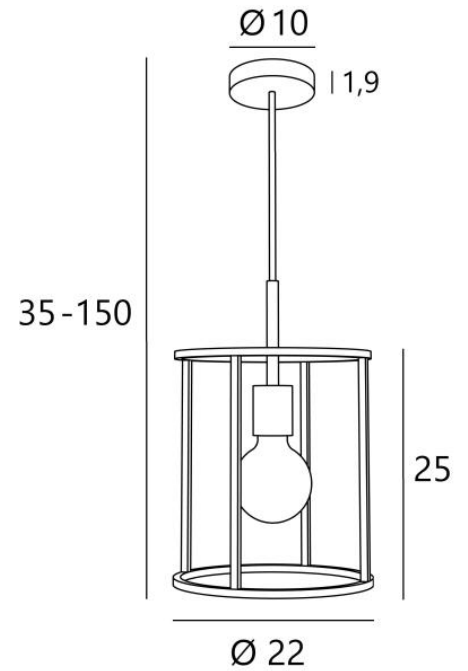




CHAMBORD o22



CHAMBORD o22 in brushed brass. Metal finish code: 25



CHAMBORD is a lantern designed to be placed in Haussmaniann-style building

CHAMBORD is a fabulous lantern that fits in perfectly with classic, trendy lighting. Its new design brings an undeniable touch of modernity. It should be placed in an entrance hall or stairwell

It is made entirely of solid brass by craftsmen who perfectly combine traditional and modern techniques. This high-quality product is enhanced by a wide range of finishes, all of which are remarkable

CHAMBORD comes in three different shapes and sizes. Two wall lights are related to our lanterns, see [CHEVERNY](#)

OVERALL SIZES

H35→150cm Ø22cm

BASE

Ø10 x 1,9cm

TECHNICAL DATA

One E27 fitting

LED bulb Soft Ø95mm : dim code 6860 000 (option)

LED bulb Gold Ø125mm dim code 6834 000 (option)

Dimmable suspension

Suspension adjustable in height

On request : a longer suspension tube

A fixing plate for the ceiling base ([plan in PDF](#))

AVAILABLE METAL FINISHES AND CODES



25 - Brushed brass - 4622 025



28 - Light bronze - 4622 028



29 - Brushed bronze - 4622 029



LIGHTING COLLECTION