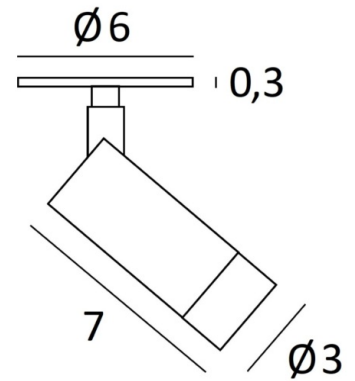




ALTA o6



ALTA o6 in light bronze. Metal finish code: 28



ALTA is an extraordinary ceiling spotlight. It's small, diffuses a powerful warm light and fits easily into the opening of a traditional recessed spotlight. **ALTA o6** consists of a spotlight, a ball joint and a base plate in solid brass. It can be directed in any direction and its beam can be narrow or wide. With a choice of original, remarkable finishes and a resolutely contemporary design, it dresses a ceiling with elegance and refinement.

OVERALL SIZES

H5,3 → 9,2cm

TECHNICAL DATA

Visible round plate (diameter 6cm - thickness 3mm) with two clips for fixing

Integrated LED : 6,85W 19V 350mA 805lm 2700°K CRI 90 SDCM 3 Beam angle 35°

Spotlight dimensions : Ø3cm L7cm

Spotlight mounted on a 360° adjustable joint

Delivered with driver : 7W 240V 350mA not dimmable

INSTALLATION

Cutout size : Ø5cm

Straighten the clips and insert them into the ceiling cutout

Recessed depth : 4,5cm

Thickness of mounting surface : 1mm

OPTIONS (please contact us)

Beam angles 25° or 60°

Round or square plates in other sizes: 7cm, 8cm, ... (made to measure)

Rectangular plate with two spotlights

Easy to install on an surface mounted base

Driver suitable for dimming

AVAILABLE METAL FINISHES AND CODES



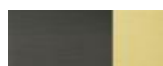
25 - Brushed brass - 5946 025



28 - Light bronze - 5946 028



29 - Brushed bronze - 5946 029



95 - Brushed bronze & Brass - 5946 095



LIGHTING COLLECTION