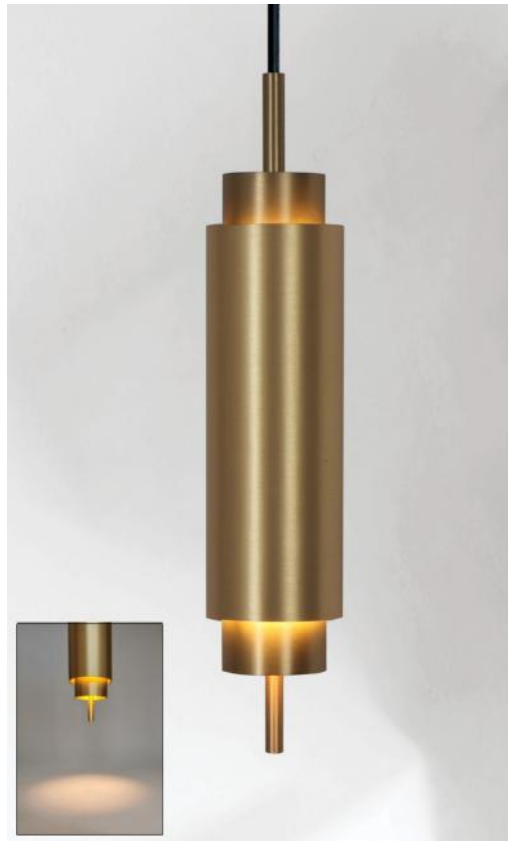
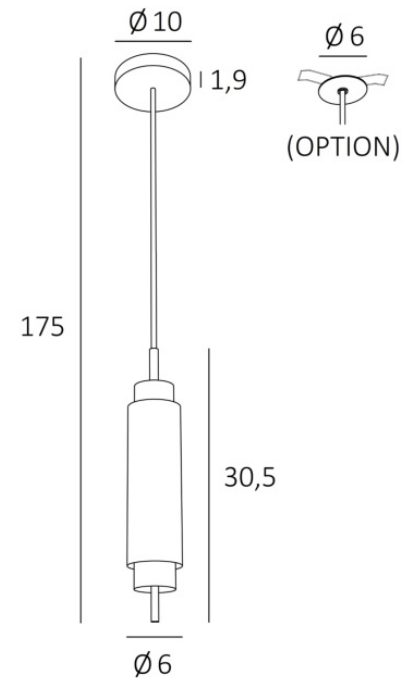




TOKYO



TOKYO suspension in light bronze



TOKYO is a superb pendant lamp designed by Belgian designer **Nicolas GALAND**. All in brass, with a pretty black textile cable, this suspension has two luminous parts, a spotlight at the bottom that projects a lot of light and a more discreet atmosphere at the top

TOKYO is made of brass by craftsmen who combine modern and traditional techniques to perfection. This high quality product is available in a number of outstanding finishes

TOKYO is height-adjustable when installed, making it easy to place beside a bed, above bedside tables, or to light a work surface or bar

OVERALL SIZES

Ø6cm H30,5cm

BASE : Ø10 x 1,9cm

TECHNICAL DATA

One GU10 and one G9 fitting

Two dimmable bulbs, included in the price and integrated into the luminaire :

- one GU10 bulb - 8.3W - 575lm - 240V - 2700°K

- one G9 bulb - 4.5W - 500lm - 230V - 2700°K

1.5 m black textile cable with cord grip in the luminaire

On request: longer cable or cable in a different color / several **TOKYO** placed on a multiple base

A fixing plate for the ceiling base

AVAILABLE METAL FINISHES AND CODES



25 - Brushed brass - 4611 025



28 - Light bronze - 4611 028



29 - Brushed bronze - 4611 029



98 - Brushed bronze & Light bronze - 4611 098



LIGHTING COLLECTION