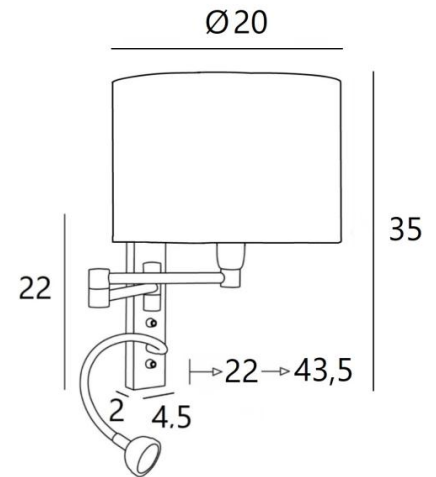




AHMES cyl20



AHMES in brushed bronze with lampshade in Parma Régisse (fabric from category 4)



AHMES cyl is a wall light with a round cylindrical lampshade and reading light to be placed near a bed. The double articulated arm has an E14 fitting with a ring to fix a lampshade. The reading light consists of a flexible with a LED spotlight that emits a warm and concentrated light. This wall light is equipped with two switches that control the lampshade and the reading light separately, allowing you to choose between soft- or reading light. For the lampshade, which will create a warm atmosphere and a beautiful brightness, we offer you a choice of many shapes, materials and colors. So you can better integrate this elegant wall light in your decoration. This high-quality fixture, traditionally made of solid brass, is enriched with beautiful finishes.

OVERALL SIZES

H35cm L20cm |→22→43,5cm

BASE: 4,5 x 22 x 2cm

TECHNICAL DATA

E14 fitting with ring on a double articulated arm, controlled by a toggle switch

LED-spotlight on a 30cm flex, controlled by a toggle switch

The spotlight can be directed to all directions. Dimensions : Ø4cm H2,4cm

LED : 1W 119lm 2700°K **Driver :** 14-230V 50-60HZ 350mA

Push buttons for home automation system (Options)

CE socket outlet and/or USB port and/or USB-C port (Options)

A fixing plate for the wall box ([plan in PDF](#))

AVAILABLE METAL FINISHES AND CODES



25 - Brushed brass - 1117 025



28 - Light bronze - 1117 028



29 - Brushed bronze - 1117 029



32 - Brushed chrome - 1117 032

LAMPSHADE : SIZES & CODE

Ø20 - 20 - 15cm

Code: 4283 + fabric code

We propose more than 180 fabrics/materials/colors for lampshades

