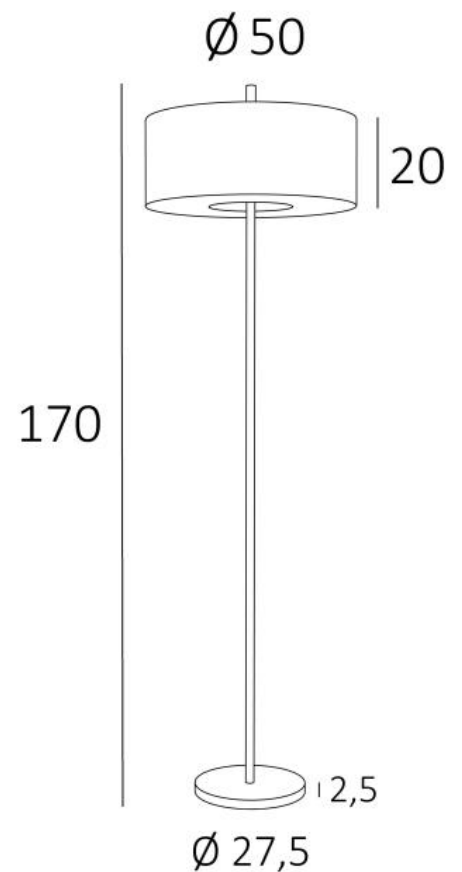




## MALLAWI FLOOR



MALLAWI FLOOR in light bronze with lampshade in Jacinthe Naturelle  
(material from category 5)



**MALLAWI FLOOR** is a powerful floor light with four E27 bulbs

The lampshade appears to be suspended around an all-brass profile, a surprising design for this prestigious floor light. Very efficient, she is mounted on a solid and heavy base for exceptional stability. With its E27 fittings, it's easy to change the LED bulbs

Its cylindrical lampshade is closed at the top and partly at the bottom, to hide the bulbs from view. A solid brass construction that has been carefully crafted by our artisans

In order to better integrate this superb lamp in your interior, you have at your disposal many fabrics, materials and colors to make a warm lampshade

### OVERALL SIZES

H170cm Ø50cm

**BASE :** Ø27 x 2,5cm

### TECHNICAL DATA

Four E27 fittings

A foot switch on the cable (standard). A foot dimmer on the cable (option)

Lampshade covered at the top by an opaline diffuser and at the bottom by a ring of the same fabric to hide the bulbs

### AVAILABLE METAL FINISHES AND CODES



28 - Light bronze - 3244 028



29 - Brushed bronze - 3244 029

### LAMP SHADE : SIZES & CODE

Ø50 - 50 - 20cm + ring Ø20cm

Code: 3244 + fabric code

We propose more than 180 fabrics/materials/colors for lampshades



**LIGHTING COLLECTION**