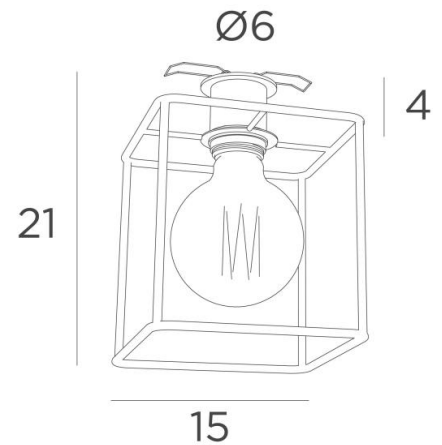




CHARON 6



CHARON in light bronze with a KERMA structure and a decorative bulb



This small ceiling light is very trendy and will bring to your interior a more modern touch while bringing a warm luminosity. **CHARON** is composed of an E27 fitting with a ring to place a decorative bulb and a **KERMA structure**. He is mounted on a round plate and on the back of the latter two spring clips allow the anchoring of the ceiling light to the false ceiling. On request, it is possible to obtain a round plate of 8cm or more. This luminaire is available in a number of finishes, all of which are remarkable

OVERALL SIZES

Ø6cm H4cm

BASE : Ø6 x 0,3cm

TECHNICAL DATA

Visible round plate (Ø6cm) with two clips for fixing

One E27 fitting with ring and R cover

LED bulb Gold Ø125mm dimmable code 6834 000 (option)

This ceiling light is dimmable and works directly on 230V

PLACEMENT

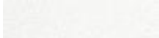
Cutout size : Ø5cm


Recessed depth : 4,5cm


Thickness of mounting surface : 1mm


Straighten the clips and insert them into the ceiling cutout


AVAILABLE METAL FINISHES AND CODES

 01 - Structured white - 5976 001

 02 - Structured black - 5976 002

 25 - Brushed brass - 5976 025

 28 - Light bronze - 5976 028

 29 - Brushed bronze - 5976 029

METAL STRUCTURES AND CODES

KERMA STRUCTURE : #15 - 15 -17cm - Code : 4999 002 (black) - Code : 4999 025 (gold)

