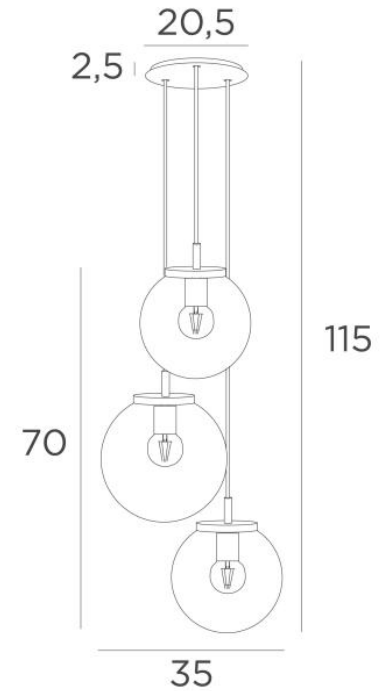




## FORYOU 3 o20



FORYOU 3 o20 in structured black (code 02) with transparent glasses (code 80)



**FORYOU 3 o20** is a beautiful composition of glasses of different sizes, each glass perfectly closed, with elegance and right proportions

To be placed in a hall or above a table and if controlled by a dimmer, it will give the right brightness for every moment of the day or evening

**FORYOU 3 o20** will be the attraction of your decoration and is just in line with the current lights

### OVERALL SIZES

H115cm Ø35cm Ceiling base 3 o20 : Ø20,5 x 2,5cm

### TECHNICAL DATA

**The FORYOU 3 o20 suspension includes :**

A ceiling base and textile cables. Other sizes are possible, see [ORDER FORM](#)

Glass closings devices, E27 fittings and dimmable LED bulbs

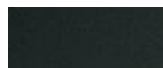
**The "SPHERE" glasses are additionnal. Four glass colors to choose from :**

transparent (80), grey (89), anthracite (82) or amber (85)

One SPHERE Small (code 4445 - Ø22cm - 1,2 kg)

Two SPHERE Medium (code 4446 - Ø25cm - 1,6 kg)

### AVAILABLE METAL FINISHES AND CODES



02 - Structured black - 4451 002



25 - Brushed brass - 4451 025



28 - Light bronze - 4451 028



29 - Brushed bronze - 4451 029

