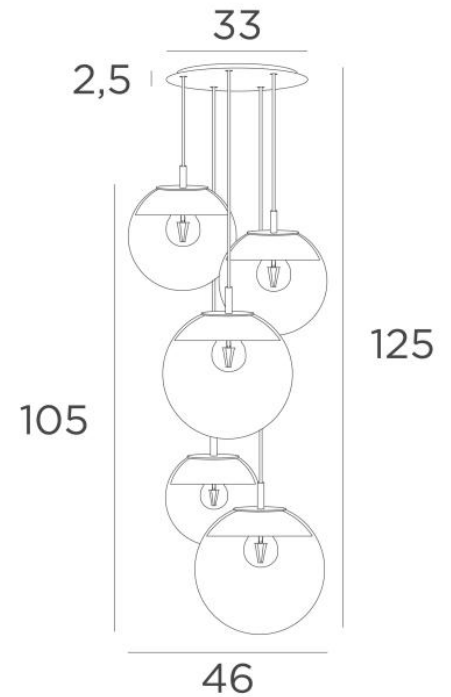




LUNA 5 o33



LUNA 5 o33 in brushed brass (code 25) with amber glasses (code 85)



LUNA 5 o33, all in crescents that dress every glass perfectly

Composed of a beautiful composition with glasses of different sizes, this suspension will be the attraction of your decoration

The dimmer ensures the right light intensity at any time of the day or night

LUNA 5 o33 is simply in line with current lighting fixtures

OVERALL SIZES

H125cm Ø46cm **Ceiling base 5 o33** : Ø33 x 2,5cm

TECHNICAL DATA

The LUNA 5 o33 suspension includes :

A ceiling base and textile cables. Other sizes are possible, see [ORDER FORM](#)

Glass closings devices, fittings (1x E14 and 4x E27) and dimmable LED bulbs

The "SPHERE" glasses are additional. Four glass colors to choose from :

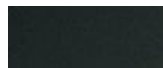
transparent (80), grey (89), anthracite (82) or amber (85)

One SPHERE Small (code 4445 - Ø22cm - 1,2 kg)

Two SPHERE Medium (code 4446 - Ø25cm - 1,6 kg)

Two SPHERE Large (code 4447 - Ø30cm - 2,7 kg)

AVAILABLE METAL FINISHES AND CODES



02 - Structured black - 4485 002



25 - Brushed brass - 4485 025



28 - Light bronze - 4485 028



29 - Brushed bronze - 4485 029

