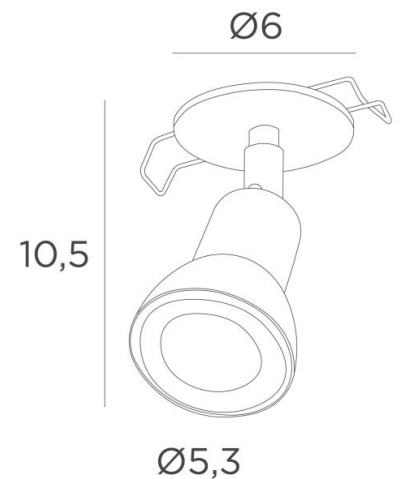




SALENTO 6



SALENTO 6 in brushed bronze



This small spotlight is very decorative, he dresses your ceiling with elegance and harmony. He will give your interior a more contemporary touch while maintaining the same luminosity
Indeed, **SALENTO** can easily replace your traditional recessed spotlights and can be positioned in existing cut-outs

He consists of a surface-mounted spotlight mounted on an adjustable joint. Two clips on the back of the plate allow the spotlight to be anchored to the false ceiling

On request, it is possible to obtain a round plate of 8cm or more. It is designed for one GU10 bulb and there are many with high power available on the market

This small, high quality spotlight is enriched by a wide range of remarkable finishes

OVERALL SIZES

H10,5cm

BASE : Ø6 x 0,3cm

TECHNICAL DATA

Visible round plate (Ø6cm) with two clips for fixing

One spotlight mounted on a 360° adjustable joint

Spotlight dimensions : Ø2,8→5,3cm L6,7cm

One GU10 fitting

Dimmable spotlight, without driver, works directly on 230V

INSTALLATION

Cutout size : Ø5cm

Recessed depth : 4,5cm

Thickness of mounting surface : 1mm

Straighten the clips and insert them into the ceiling cutout

AVAILABLE METAL FINISHES AND CODES



01 - Structured white - 5956 001



02 - Structured black - 5956 002



25 - Brushed brass - 5956 025



28 - Light bronze - 5956 028



29 - Brushed bronze - 5956 029



LIGHTING COLLECTION