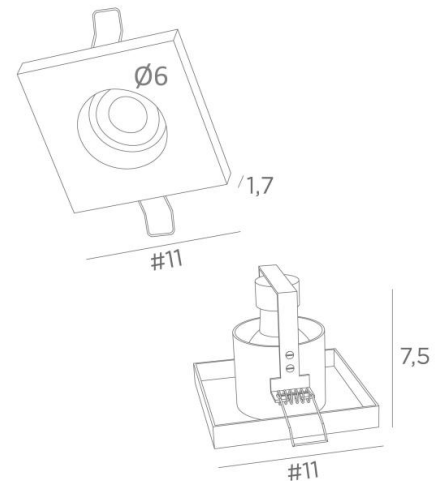




ORLANDO



ORLANDO in light bronze. Metal finish code: 28



ORLANDO is a recessed ceiling spotlight with a GU10 bulb integrated deep into a thick square housing. The main advantages of this high quality spotlight are firstly that it is made from a noble metal (solid brass) and secondly that it is embellished by a wide range of finishes, each of which is remarkable. The visible thickness of the spotlight and its original finish will dress your ceiling with elegance and discretion.

OVERALL SIZES

#11cm H7,5cm

BASE

#11 x 1,7cm

TECHNICAL DATA

Visible square box, #11cm H1,7cm, with two clips for fixing

One GU10 fitting

A black decorative ring to be placed around and behind the bulb

Dimmable spot, without driver, works directly on 230V

PLACEMENT

Cutout size : Ø10cm

Recessed depth : 7,5cm

Thickness of mounting surface : 1mm

Straighten the clips and insert them into the ceiling cutout

Mandatory use of a LED bulb (safety)

AVAILABLE METAL FINISHES AND CODES



01 - Structured white - 5910 001



02 - Structured black - 5910 002



25 - Brushed brass - 5910 025



28 - Light bronze - 5910 028



29 - Brushed bronze - 5910 029



LIGHTING COLLECTION