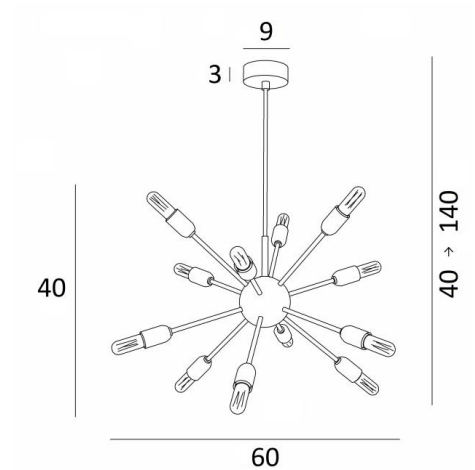




## SOLAR 1



SOLAR 1 in brushed bronze with clear bulbs



With its bundle of decorative lamps, **SOLAR 1** is a spectacular hanging lamp that perfectly matches trendy lighting

This luminaire is made entirely of brass by craftsmen who perfectly combine all traditional and modern techniques. This high quality product is enriched with remarkable finishes

Can be placed in a hall or in the living room above a table

This suspension must be controlled by a dimmer, which allows the light intensity to be adjusted to suit any time of the day or evening

We present **SOLAR** in two different sizes

### OVERALL SIZES

H40→140cm Ø60cm

### BASE

Ø9 x 3cm

### TECHNICAL DATA

Twelve E14 fittings

Fixed tubes

**LED bulb Tube Clear** : 3,5W dim code 6815 000 (option)

**LED bulb Tube Gold** : 3,5W dim code 6816 000 (option)

Dimmable suspension

Suspension adjustable in height

On request : a longer suspension tube

A fixing plate for the ceiling base ([plan in PDF](#))

### AVAILABLE METAL FINISHES AND CODES



28 - Light bronze - 4664 028



29 - Brushed bronze - 4664 029

