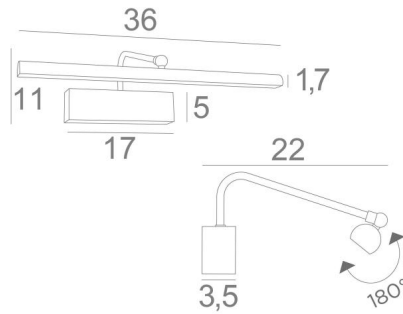




VERSAILLES 35



VERSAILLES 35 in brushed brass. Metal finish code: 25



This elegant fixture combines all the qualities to highlight your picture: finesse, discretion, manageability and efficiency. Length of this picture light: 36cm

This lighting is the result of a long serie of tests and improvements and is certainly the best and most reliable light on the market

The reflector, 180° rotatable, is equipped with a strip-LED : a warm, powerful and generous light, which has regular continuity over the entire length of the fixture. This fixture is made of solid brass by experienced craftsmen and the finishes offered are more than remarkable

This picture light is available in two other lengths. The same model called **RICHELIEU 35** is available without a visible wall box and can be mounted directly on the back of the picture or on the wall

OVERALL SIZES

H11cm L36cm |→22cm

BASE

17 x 5 x 3,5cm

TECHNICAL DATA

LED strip integrated in the reflector:

consumption 4,9W brightness 441lm colour temperature 2700°K

Driver: 24-230V 20W. Dimmable under TRIAC

The reflector is adjustable trough 180°

Reflector dimensions: L36cm Ø2,2cm H1,7cm

A fixing plate for the wall box ([plan in PDF](#))

AVAILABLE METAL FINISHES AND CODES



25 - Brushed brass - 1893 025



29 - Brushed bronze - 1893 029



33 - Brushed nickel - 1893 033

