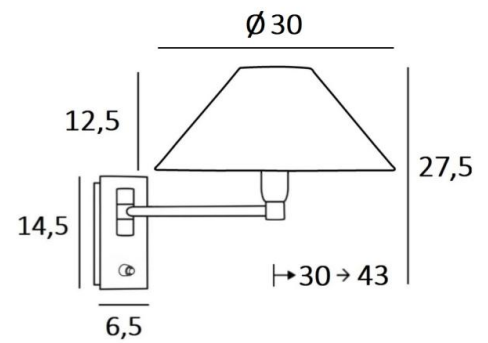




SOKARIS +SW o



SOKARIS +SW in brushed bronze with lampshade in Coton Sahara (fabric from category 1)



SOKARIS is a wall light with single mobile arm and a round conical lampshade

Perfect as wall light for a bedroom

For her lampshade, which will create a warm atmosphere and a beautiful luminosity, we propose you to choose between many materials and colors. This will allow you to better integrate this elegant and robuste wall light in your decoration

This model exists without switch or with a double articulated arm

OVERALL SIZES

H27,5cm L30cm |→30-43cm

BASE

Plate: 6,5 x 14,5cm Box: 4,5 x 12,5 x 2cm

TECHNICAL DATA

One E14 fitting with ring






Dimmable wall light

Wall light with single arm movable through 180°

A push switch on the box

A fixing plate for the wall box ([plan in PDF](#))

AVAILABLE METAL FINISHES AND CODES

	20 - Polished brass	- 1164 020
	25 - Brushed brass	- 1164 025
	28 - Light bronze	- 1164 028
	29 - Brushed bronze	- 1164 029
	32 - Brushed chrome	- 1164 032

LAMPSHADE : SIZES & CODE

Ø9 - 30 - 16cm

Code: 1104 + fabric code

We propose more than 180 fabrics/materials/colors for lampshades



LIGHTING COLLECTION