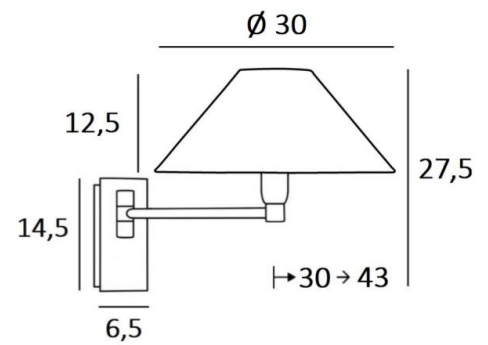




SOKARIS -SW o



SOKARIS -SW in brushed bronze with lampshade in Esmaria Seigle (fabric from category 3)

SOKARIS is a wall light with single mobile arm and a round conical lampshade

Perfect as wall light for a bedroom

For her lampshade, which will create a warm atmosphere and a beautiful luminosity, we propose you to choose between many materials and colors. This will allow you to better integrate this elegant and robuste wall light in your decoration

This model exists with a push button switch or with a double articulated arm

OVERALL SIZES

H27,5cm L30cm |→30-43cm

BASE

Plate : 6,5 x 14,5cm

Box : 4,5 x 12,5 x 2cm

TECHNICAL DATA

One E14 fitting with ring

Single arm movable through 180°

Dimmable wall light

Without switch

A fixing plate for the wall box ([plan in PDF](#))

AVAILABLE METAL FINISHES AND CODES



25 - Brushed brass - 1163 025



28 - Light bronze - 1163 028



29 - Brushed bronze - 1163 029



32 - Brushed chrome - 1163 032

LAMPSHADE : SIZES & CODE

Ø9 - 30 - 16cm

Code: 1104 + fabric code

We propose more than 180 fabrics/materials/colors for lampshades



LIGHTING COLLECTION