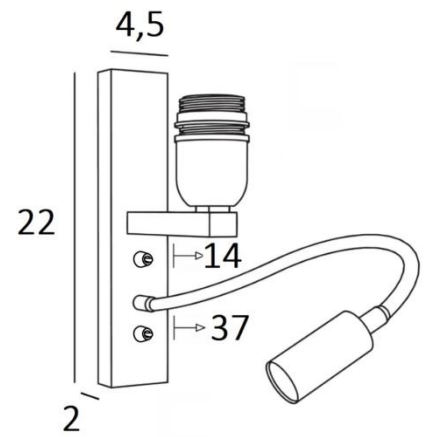




KARY



KARY without lampshade in brushed bronze. Metal finish code: 29

**KARY** is a wall light for a lampshade and reading light to be placed near a bed

The arm has an E27 fitting with a ring to fix a lampshade

The reading light consists of a flexible that ends with a LED spot that emits a warm and concentrated light

This wall light has two switches that control the lampshade and the reading light separately, so you can choose between soft and/of reading light

This high-quality fixture is traditionally made of solid brass and is accentuated with beautiful finishes

For the lampshade, which will provide a warm atmosphere and beautiful light, we offer you a choice of many shapes, fabrics, materials and colors

This will allow you to integrate this elegant and robust wall light into your decoration

#### OVERALL SIZES

H22cm L4,5cm |→14cm

#### BASE

4,5 x 22 x 2cm

#### TECHNICAL DATA

**E27 fitting** with ring on a fixed arm, controlled by a toggle switch

**LED-spotlight** on a 30cm flex, controlled by a toggle switch

The spotlight can be directed to all directions. Spotlight dimensions: L5cm Ø2,5cm

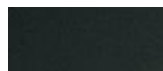
Integrated LED: 1W 119lm 2700°K 25° beam angle. Driver: 14-230V 50-60HZ 350mA

A fixing plate for the wall box ([plan in PDF](#))

**OPTIONS:** Push buttons for home automation system

**OPTIONS:** CE socket outlet, USB port, USB-C port

#### AVAILABLE METAL FINISHES AND CODES



02 - Structured black - 1310 002



25 - Brushed brass - 1310 025



28 - Light bronze - 1310 028



29 - Brushed bronze - 1310 029



32 - Brushed chrome - 1310 032



LIGHTING COLLECTION