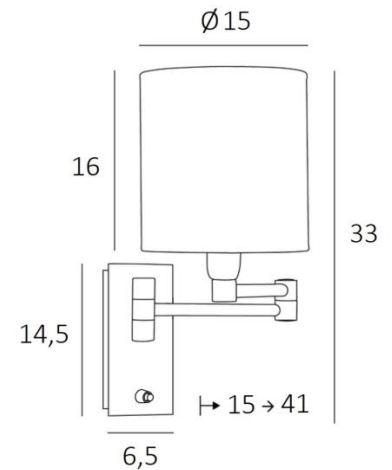




AHMOSIS +SW cyl15



AHMOSIS +SW in brushed bronze with lampshade Palmier Polka (material from category 5)

With its double articulated arm, which allows the light dimmed by the lampshade to be brought closer together, **AHMOSIS** is certainly the most functional wall light to be installed in a bedroom next to a bed. For its round cylindrical lampshade, which will create a warm atmosphere and a beautiful luminosity, we propose you to choose between many materials and colors. This will allow you to better integrate this elegant and sturdy wall light in your decoration. This model is available with or without switch.

OVERALL SIZES

H33cm L15cm |→15-41cm






BASE

Plate : 6,5 x 14,5cm Box : 4,5 x 12,5 x 2cm

TECHNICAL DATA

One E14 fitting with ring
Double arm, 180° adjustable
Dimmable wall light
A push switch on the box
A fixing plate for the wall box ([plan in PDF](#))

AVAILABLE METAL FINISHES AND CODES

	20 - Polished brass	- 1119 020
	25 - Brushed brass	- 1119 025
	28 - Light bronze	- 1119 028
	29 - Brushed bronze	- 1119 029
	32 - Brushed chrome	- 1119 032

LAMP SHADE : SIZES & CODE

Ø15 - 15 - 16cm

Code: 1203 + fabric code

We propose more than 180 fabrics/materials/colors for lampshades



LIGHTING COLLECTION