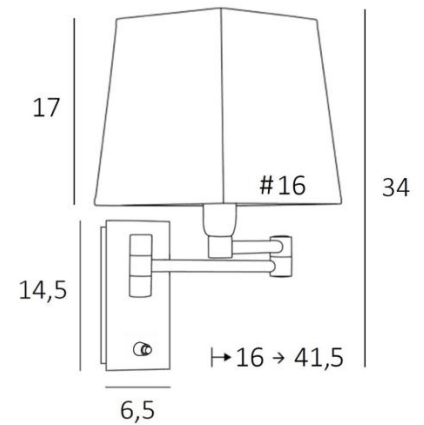




## AHMOSIS +SW #



AHMOSIS +SW in brushed bronze with lampshade in Jacinthe Miel Noir (material from category 5)



With its double articulated arm, which allows the light dimmed by the lampshade to be brought closer together, **AHMOSIS** is certainly the most functional wall light to be installed in a bedroom next to a bed. For its square lampshade, which will create a warm atmosphere and a beautiful luminosity, we propose you to choose between many materials and colors. This will allow you to better integrate this elegant and sturdy wall light in your decoration.

This model exists without switch, see [AHMOSIS -SW #](#)

### OVERALL SIZES

H34cm L16cm |→16-41,5cm

### BASE

Plate : 6,5 x 14,5cm

Box : 4,5 x 12,5 x 2cm

### TECHNICAL DATA

One E14 fitting with ring


Double arm, 180° adjustable

Dimmable wall light

A push switch on the box


A fixing plate for the wall box ([plan in PDF](#))


### AVAILABLE METAL FINISHES AND CODES

 20 - Polished brass - 1119 020

 25 - Brushed brass - 1119 025

 28 - Light bronze - 1119 028

 29 - Brushed bronze - 1119 029

 32 - Brushed chrome - 1119 032

### LAMP SHADE : SIZES & CODE

#13 - 16 - 17cm

Code: 1307 + fabric code

We propose more than 180 fabrics/materials/colors for lampshades

