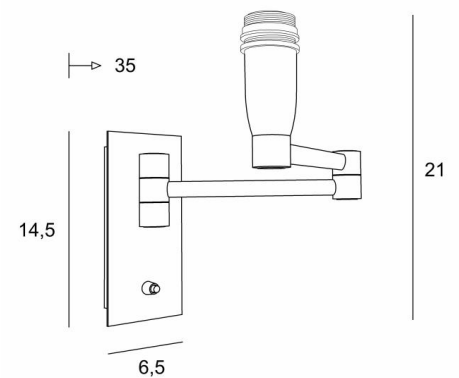




AHMOSIS +SW



AHMOSIS +SW in brushed bronze without lampshade



With its double articulated arm, which allows the light dimmed by the lampshade to be brought closer together, **AHMOSIS** is certainly the most functional wall light to be installed in a bedroom next to a bed. For its lampshade, which will create a warm atmosphere and a beautiful luminosity, we propose you to choose between many materials and colors. This will allow you to better integrate this elegant and sturdy wall light in your decoration.

This model exists without switch, see [AHMOSIS -SW](#)

OVERALL SIZES

H21cm L6,5cm |→35cm

BASE

Plate : 6,5 x 14,5cm

Box : 4,5 x 12,5 x 2cm

TECHNICAL DATA

One E14 fitting with ring

Double arm, 180° adjustable

Dimmable wall light

A push switch on the box

A fixing plate for the wall box ([plan in PDF](#))

AVAILABLE METAL FINISHES AND CODES



25 - Brushed brass - 1119 025



29 - Brushed bronze - 1119 029



33 - Brushed nickel - 1119 033

