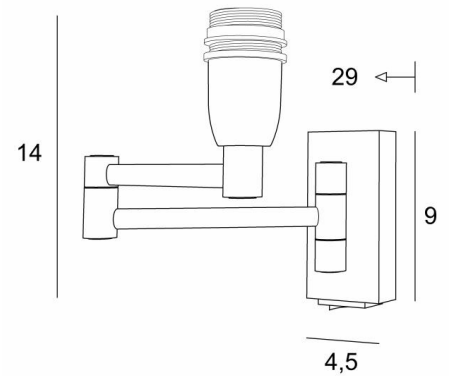




MAMMISI +SW



MAMMISI +SW in brushed bronze without lampshade



MAMMISI is a classic and very decorative wall light can easily be placed in any interior. Practical with its double articulated arm

Small and discreet, it can be placed on the uprights of a bookcase or as a small bed light

The articulated arm is designed to be fitted with a lampshade, which will filter the light of the bulb while creating a nice warm atmosphere. A large choice of colors and materials is available

This model exists without switch, see [MAMMISI -SW](#)

OVERALL SIZES

H14cm L4,5cm |→29cm

BASE

4,5 x 9 x 2cm

TECHNICAL DATA

One E14 fitting with ring


Double arm, 180° adjustable

Dimmable wall light


A rocker switch at the bottom of the box


A fixing plate for the wall box ([plan in PDF](#))

AVAILABLE METAL FINISHES AND CODES


 20 - Polished
brass - 1131 020

 25 - Brushed brass - 1131 025

 28 - Light bronze - 1131 028

 29 - Brushed bronze - 1131 029

 31 - Polished chrome - 1131 031

 32 - Brushed chrome - 1131 032



LIGHTING COLLECTION