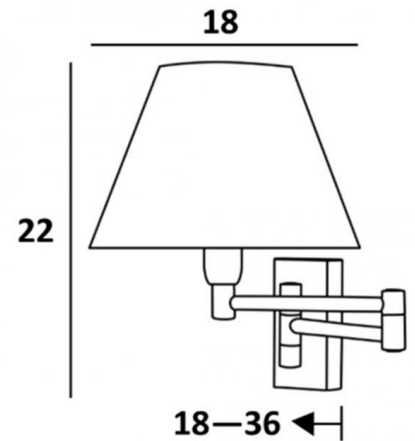




## MAMMISI -SW o



MAMMISI -SW in brushed bronze with lampshade in Wilg Wengé (fabric from category 3)



This classic and very decorative wall light can easily be placed in any interior. Practical with its double articulated arm. Small and discreet, it can be placed on the uprights of a bookcase or as a small bed light. With its round conical lampshade, **MAMMISI** is often adopted as a reading light. For this lampshade, which will filter the light of the bulb while creating a nice warm atmosphere, we offer a large choice of colors and materials.

This model is available with a rocker switch, see [MAMMISI +SW o](#)

### OVERALL SIZES

H22cm L18cm |→18-36cm

**BASE** : 4,5 x 9 x 2cm

### TECHNICAL DATA

One E14 fitting with ring. Dimmable wall light

Double arm, 180° adjustable

Without switch

A fixing plate for the wall box ([plan in PDF](#))

### AVAILABLE METAL FINISHES AND CODES



20 - Polished brass - 1130 020



28 - Light bronze - 1130 028



29 - Brushed bronze - 1130 029



31 - Polished chrome - 1130 031



32 - Brushed chrome - 1130 032

### LAMPSHADE : SIZES & CODE

Ø9 - 18 - 13cm

Code: 1130 + fabric code

We propose more than 150 materials/colors for lampshades.

