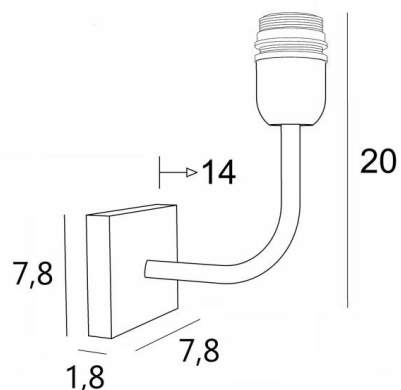




ABA 1



ABA 1 in brushed bronze without lampshade



ABA 1 is a wall light intended for a lampshade

Designed with simplicity, she is nevertheless well balanced and its elegance allows her to find a place in many decorations

Made of brass with great precision, she is available in many beautiful finishes

For the lampshade, which will create a warm atmosphere and a beautiful brightness, we suggest you to choose between many shapes, fabrics, materials and colors

This wall light is available in a larger model, see [ABA 2](#)

OVERALL SIZES

H20cm L7,8cm |→14cm

BASE

7,8 x 1,8cm

TECHNICAL DATA

One E27 fitting with ring

Dimmable wall light

A fixing plate for the wall box ([plan in PDF](#))

AVAILABLE METAL FINISHES AND CODES



28 - Light bronze - 1111 028



29 - Brushed bronze - 1111 029



32 - Brushed chrome - 1111 032

