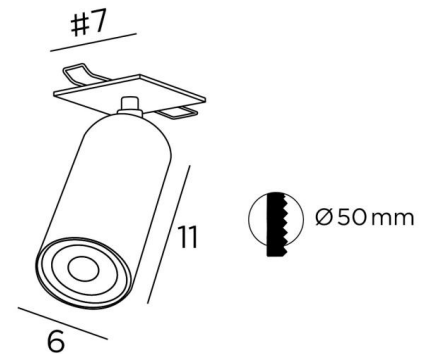




## DEIMOS P1 #



DEIMOS P1 # in brushed bronze (code 29)



**DEIMOS P1 #** is a surface mounted spotlight (with a recessed part) for ceiling mounting

This large cylindrical spotlight completely encloses the bulb. A decorative black ring is placed around and behind the bulb

He is mounted on a ball joint, which is partly integrated in the cylinder of the spotlight and on a square plate. Two spring clips on the back of the plate allow the ceiling light to be anchored to the false ceiling  
A larger plate is available on request and to increase the luminous flux, there are GU10 bulbs on the market that are very powerful and always dimmable

### OVERALL SIZES

H10→14cm

### BASE

#7 x 0,3cm

### TECHNICAL DATA

Visible square plate (#7cm) with two mounting clips

One GU10 fitting

A black decorative ring to place around and behind the bulb

A spotlight mounted on a 360° ball joint

Spotlight dimensions : Ø6cm L11cm

Dimmable spotlight, without driver, works directly on 230V

### PLACEMENT

Cutout size : Ø5cm

Recessed depth : 6cm

Thickness of mounting surface : 1mm

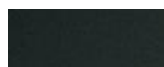
Straighten the clips and insert them into the ceiling cutout

Mandatory use of a LED bulb (safety)

### AVAILABLE METAL FINISHES AND CODES



01 - Structured white - 5870 001



02 - Structured black - 5870 002



29 - Brushed bronze - 5870 029

