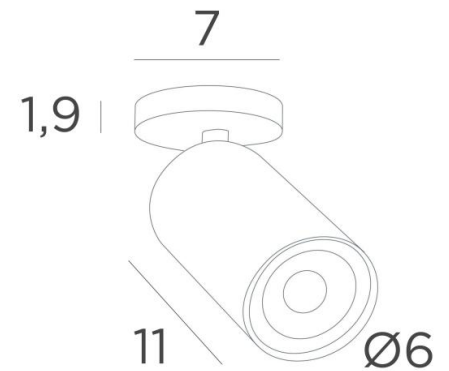




DEIMOS S1 o



DEIMOS S1 o in structured black and in brushed brass. Metal finishes code: 45

DEIMOS S1 o is a spotlight placed on a round base

This spotlight is admirable, he is elegant and it has a nice presence. Easy to install, he is a must for adding more light to your home

DEIMOS is a large cylindrical spotlight that completely encloses the bulb. A decorative black ring is placed around and behind the bulb. He is mounted on a ball joint, integrated into the cylinder of the spotlight. Traditionally handcrafted by expert brassworkers, this luminaire is available in a number of remarkable finishes

OVERALL SIZES

H10→14cm

BASE : Ø7 x 1,9cm

TECHNICAL DATA

One GU10 spotlight on a 360° adjustable joint. A black ring to be placed behind the bulb

No driver, this spotlight is dimmable and works directly on 230V

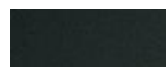
A fixing plate for the ceiling box ([plan in PDF](#))

Mandatory use of a LED bulb (safety)

AVAILABLE METAL FINISHES AND CODES



01 - Structured white - 5127 001



02 - Structured black - 5127 002



25 - Brushed brass - 5127 025



28 - Light bronze - 5127 028



29 - Brushed bronze - 5127 029



43 - Structured black & Brushed nickel - 5127 043



45 - Structur.black-Brush.brass - 5127 045



51 - Brushed chrome & Polished chrome - 5127 051



LIGHTING COLLECTION