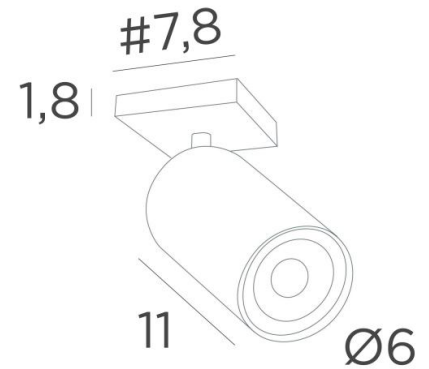




## DEIMOS S1 #



DEIMOS S1 # in brushed brass. Metal finish code: 25



**DEIMOS S1 #** is a spotlight placed on a square base. This spotlight is admirable, he is elegant and it has a nice presence. Easy to install, he is a must for adding more light to your home

**DEIMOS** is a large cylindrical spotlight that completely encloses the bulb. A decorative black ring is placed around and behind the bulb. He is mounted on a ball joint, integrated into the cylinder of the spotlight. Handcrafted in brass, it is available in a number of remarkable finishes

### OVERALL SIZES

H10→14cm

**BASE** : #7,8 x 1,8cm

### TECHNICAL DATA

One GU10 spotlight mounted on a 360° adjustable joint

A black decorative ring to be placed around and behind the bulb

No driver, this spotlight is dimmable and works directly on 230V

A fixing plate for the ceiling box ([plan in PDF](#))

Mandatory use of a LED bulb (safety)

### AVAILABLE METAL FINISHES AND CODES



01 - Structured white - 5126 001



02 - Structured black - 5126 002



25 - Brushed brass - 5126 025



28 - Light bronze - 5126 028



29 - Brushed bronze - 5126 029



43 - Structured black & Brushed nickel - 5126 043



45 - Structur.black-Brush.brass - 5126 045



51 - Brushed chrome & Polished chrome - 5126 051

