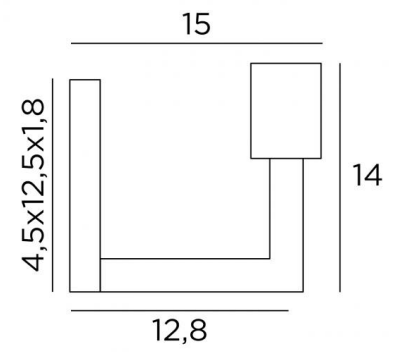




MESSENGER L



MESSENGER L in brushed bronze and decorative bulb



Wall lamp for decorative bulb. It can be installed in the other direction

OVERALL SIZES

H14cm |→15cm

BASE

4,5 x 12,5 x 1,8cm

TECHNICAL DATA

One E27 fitting for decorative bulb

AVAILABLE METAL FINISHES AND CODES



29 - Brushed bronze - 1954 029

