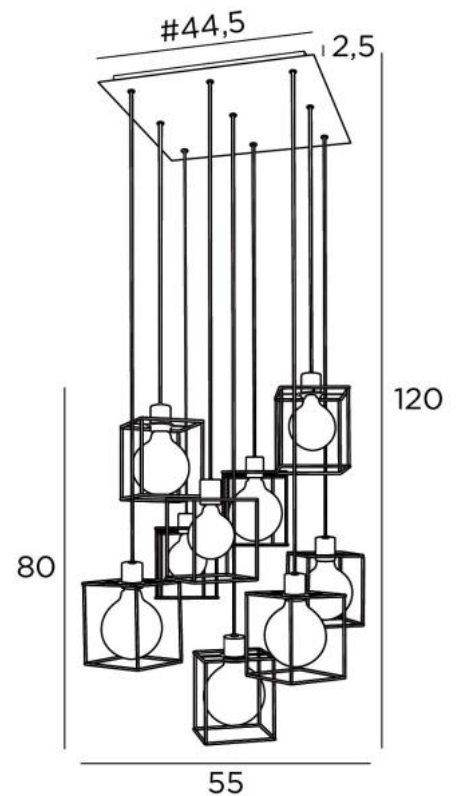




KERMA SQUARE 9 in brushed bronze with structures in black epoxy



KERMA SQUARE 9

The combination of nine bulbs of different diameters with small black structures has created a luminaire full of movement, imbalance and organized disorder. This is the originality of the **KERMA** suspension and the reason for its success

KERMA SQUARE 9 is a suspension lamp that can easily be placed in a hall or above a table

OVERALL SIZES

H120cm #55cm

BASE : Plate #44,5cm - Frame #40 x 2,5cm

TECHNICAL DATA

Nine E27 fittings with ring

LED bulb Gold Ø125mm dim code 6834 000 (option)

Dimmable suspension

The bottom of the suspension is 155cm from the floor with a ceiling height of 275cm. On request, we can adapt the cables to another ceiling height. **ORDER FORM** to be filled in

A frame that is attached to the ceiling before the plate is put against it, see **MOUNTING INSTRUCTIONS**

AVAILABLE METAL FINISHES AND CODES



02 - Structured black - 4949 002



29 - Brushed bronze - 4949 029

METAL STRUCTURES AND CODES

KERMA STRUCTURE : #15 - 15 - 17cm (x9)

Code : 4999 002 (black)

Code : 4999 025 (gold)

