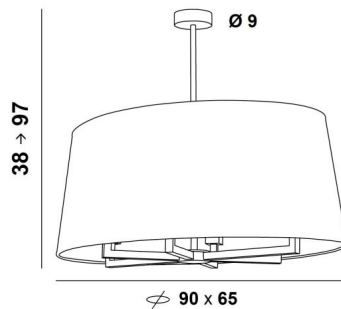




TOURAH 6 OVALE 90



TOURAH 6 OVALE in brushed bronze with oval lampshade L90cm in Turda Abricot (fabric from category 3)



TOURAH 6 OVALE 90 is a magnificent and sumptuous suspension light with a round oval lampshade of 90cm in length. The robust arms made of a square profile give it a modern and timeless design. **TOURAH** is made entirely of brass by craftsmen who perfectly combine traditional and modern techniques. The judicious choice of materials for the lampshade (exterior and interior) will dress this suspension with elegance and good taste.

The suspension is adjustable in height, dimmable and can be placed above a table, in a hall, in a living room or in a bedroom. He is available in different sizes and with different lampshades.

OVERALL SIZES

H38→97cm L90 x 65cm

BASE : Ø9 x 3cm

TECHNICAL DATA

Six E27 fittings. Dimmable suspension

Suspension adjustable in height during the installation

On request : a longer suspension tube

On request, the suspension can be supplied with hook and pavillon to replace the old luster

A fixing plate for the ceiling base ([plan in PDF](#))

AVAILABLE METAL FINISHES AND CODES



25 - Brushed brass - 4191 025



28 - Light bronze - 4191 028



29 - Brushed bronze - 4191 029



32 - Brushed chrome - 4191 032

LAMPSHADE : SIZES & CODE

80x60 - 90x65 - 34cm

Code: 4192 + fabric code

We propose more than 180 fabrics/materials/colors for lampshades



LIGHTING COLLECTION