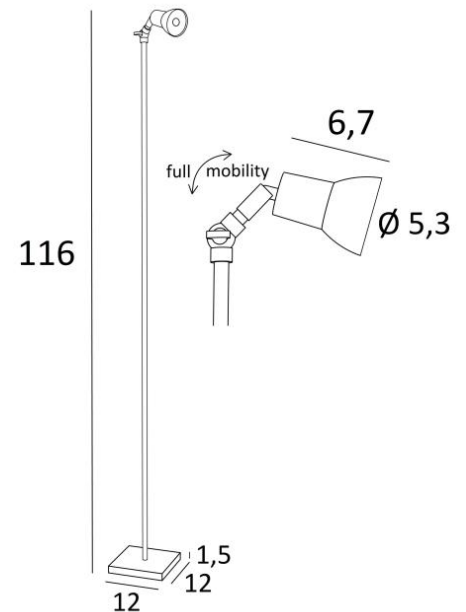




## VENATOR 2



VENATOR 2 in brushed bronze



**VENATOR 2** is a small reading light for a GU10 bulb, fully integrated into the spotlight

The two adjustable joints on the back of the spotlight allow for mobility in all directions, up and down

She is equipped with a dimmer installed on the cord

Discreet lighting, efficient and multifunctional: a very good choice

This model is also available as a table light, see **VENATOR 1**

### OVERALL SIZES

H116cm #12cm

### BASE

Solid brass base : #12 x 1,5cm

### TECHNICAL DATA

One GU10 fitting

The bulb is completely integrated in the spotlight

With its two ball joints, the spotlight can be directed in all directions

Spot dimensions : Ø2,8→5,3cm L6,7cm

Dimmable reading light

A foot dimmer on the cable

Mandatory use of a LED bulb (safety)

### AVAILABLE METAL FINISHES AND CODES



25 - Brushed brass - 3686 025



28 - Light bronze - 3686 028



29 - Brushed bronze - 3686 029



33 - Brushed nickel - 3686 033

