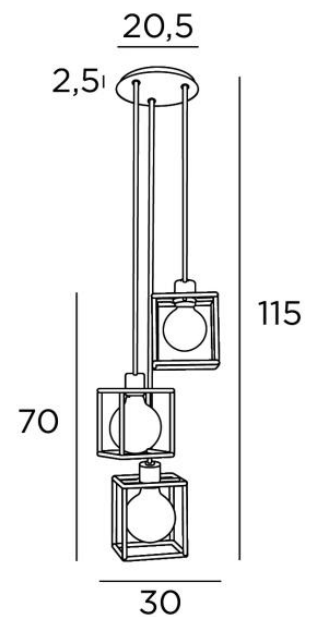




## KERMA 3 o20



KERMA 3 o20 in brushed bronze with structures in black epoxy



The combination of three bulbs of different diameters with small black structures has created a luminaire full of movement, imbalance and organized disorder. This is the originality of the **KERMA** suspension and the reason for its success

**KERMA 3 o20** is a suspension lamp that can easily be placed in a hall or above a table

### OVERALL SIZES

H115cm Ø30cm

**BASE** : Plate Ø20,5cm - Box Ø18 x 2,5cm

### TECHNICAL DATA

Three E27 fittings with ring

**LED bulb Gold Ø125mm** dim code 6834 000 (option)

Dimmable suspension

The bottom of the suspension is 160cm from the floor with a ceiling height of 275cm. On request, we can adapt the cables to another ceiling height. **ORDER FORM** to be filled in

A fixing plate for the ceiling base ([plan in PDF](#))

### AVAILABLE METAL FINISHES AND CODES



25 - Brushed brass - 4904 025



29 - Brushed bronze - 4904 029

### METAL STRUCTURES AND CODES

KERMA STRUCTURE : #15 - 15 - 17cm (x3)

Code : 4999 002 (black)

Code : 4999 025 (gold)

