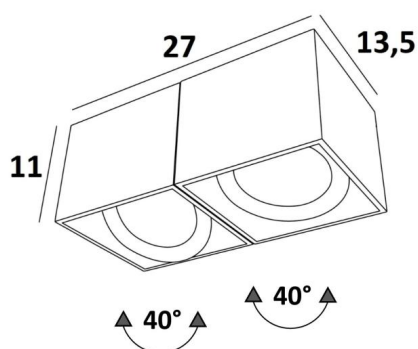




## ATRIA 2 MOBILE



ATRIA 2 MOBILE in structured black. Metal finish code: 02



**ATRIA 2 MOBILE** is a large rectangular ceiling light for two 111 mm diameter bulbs, adjustable over 40°. This ceiling light is discreet and easy to install and very useful to add more brightness to your interior, thanks to the light power of the AR111 bulbs. These bulbs work with 12V current, which is supplied by transformers, integrated in the base of the luminaire. The originality of the **ATRIA** spotlight lies in its square and rectangular shape which gives him a beautiful contemporary look, a very modern design. This marvellous spotlight is available in a beautiful range of single or double spotlights, fixed or mobile.

### OVERALL SIZES

27 x 13,5cm H11cm

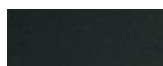
### TECHNICAL DATA

Ceiling spotlights suitable for two AR111 Ø111mm bulbs G53 base  
Each bulb powered in 12V by one transformer, designed for one LED bulb :  
12-230V 50-60Hz 3-60W  
The bulbs are adjustable through 40°  
Dimmable ceiling spotlights  
A fixing plate for the ceiling box ([plan in PDF](#))  
Mandatory use of LED bulbs (safety)

### AVAILABLE METAL FINISHES AND CODES



01 - Structured white - 5422 001



02 - Structured black - 5422 002

