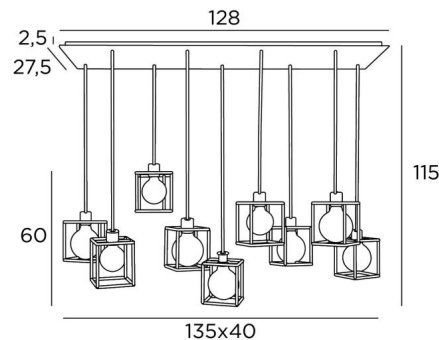




## KERMA 9 #



KERMA 9 # in brushed bronze with structures in black epoxy



The combination of nine bulbs of different diameters with small black structures has created a luminaire full of movement, imbalance and organized disorder. This is the originality of the **KERMA** suspension and the reason for its success

**KERMA 9 #** is a suspension lamp that can easily be placed in a hall or above a table

### OVERALL SIZES

H115cm L135 x 40cm

**BASE :** Plate 128 x 27,5cm - Frame 125 x 24,5 x 2,5cm

### TECHNICAL DATA

Nine E27 fittings with ring

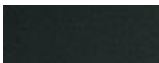
**LED bulb Gold Ø125mm** dim code 6834 000 (option)


Dimmable suspension

The bottom of the suspension is 160cm from the floor with a ceiling height of 275cm. On request, we can adapt the cables to another ceiling height. **ORDER FORM** to be filled in

A frame that is attached to the ceiling before the plate is put against it, see **MOUNTING INSTRUCTIONS**

### AVAILABLE METAL FINISHES AND CODES

 02 - Structured black - 4939 002

 25 - Brushed brass - 4939 025

 29 - Brushed bronze - 4939 029

### METAL STRUCTURES AND CODES

KERMA STRUCTURE : #15 - 15 - 17cm (x9)

Code : 4999 002 (black) Code : 4999 025 (gold)

