



## MICRON PL



MICRON PL in brushed chrome

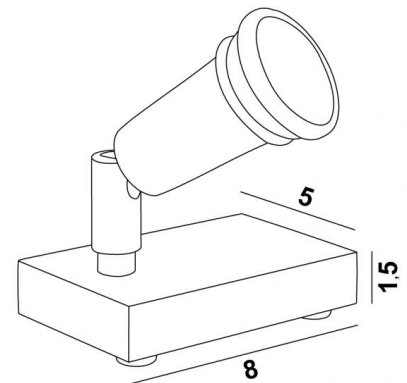


Table spot with a spot 12V for bulb Ø35 or 50mm. A switch allows selection between two strengths: medium or high (9 and 12V). Can be used to illuminate any object or subject in an interior

### OVERALL SIZES

L8 x 5cm H6→9,5cm

Spot : Ø2→2,9cm L4,3cm

### BASE

8 x 5 x 1,5cm

### TECHNICAL DATA

One GU4 fitting

Toroidal transformer at the plug : 230V/12V

Switch with three positions :

O : on/off

I : low intensity = SEC 0-9V 35VA

II : high intensity = SEC 0-12V 50VA

compatible with LED bulbs

but with little intensity variation

The spot can be rotated 360

Switch on the electrical cord

Class II protected luminaire

### AVAILABLE METAL FINISHES AND CODES



02 - Structured black - 6055 002



20 - Polished  
- 6055 020  
brass



29 - Brushed bronze - 6055 029



32 - Brushed chrome - 6055 032

