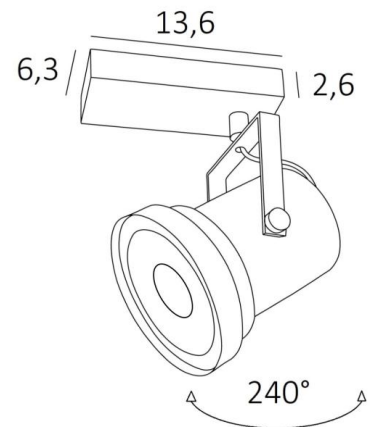




## ATHENA 1



ATHENA 1 in brushed bronze. Metal finish code: 29



**ATHENA 1** is an imposing spotlight that surrounds a 111mm diameter bulb, placed on a rectangular base. This ceiling light is easy to install and very useful to add a lot of light to your interior thanks to the light power of the AR111 bulb. This bulb works with 12V current, which is supplied by a transformer, integrated in the base of the luminaire. There are AR111 bulbs on the market with considerable power. The originality of the **ATHENA** spotlight lies in its theatrical design, which gives it a young and contemporary look. This splendid spotlight is offered in a beautiful range of four models, with one to four spots, distributed on rectangular bases. Traditionally handcrafted by expert craftsmen in brass work, this luminaire is offered in a remarkable finish.

### OVERALL SIZES

L13,6 x 6,3cm H19→22cm

### BASE

13,6 x 6,3 x 2,6cm

### TECHNICAL DATA

Ceiling light with a spotlight, designed for a bulb AR111 Ø111mm G53 base. The spotlight is supplied with 12V by a transformer, compatible with a LED bulb: 12-230V 50-60Hz 3-60W.

Placed under a U-shaped arch, the spotlight is vertically adjustable over 240°.

The arch is mounted on an adjustable joint that can be rotated horizontally through 360°.

Spotlight dimensions: Ø8→11,5cm L12cm

Dimmable ceiling light

A fixing plate for the ceiling base ([plan in PDF](#))

### AVAILABLE METAL FINISHES AND CODES



25 - Brushed brass - 5401 025



28 - Light bronze - 5401 028



29 - Brushed bronze - 5401 029



33 - Brushed nickel - 5401 033



34 - Polished nickel - 5401 034

