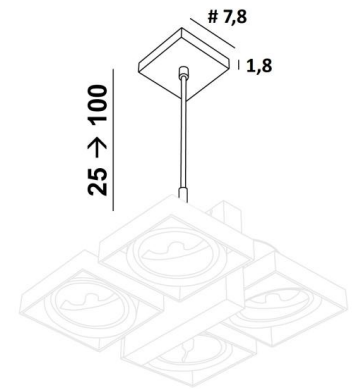




SARGAS 4 SUSPENSION



SARGAS 4 mounted on a SARGAS 4 SUSPENSION



Suspension system only for a **SARGAS 4** ceiling light

He consists of a base on the ceiling and a set of adjustable tubes, that allow **SARGAS 4** to be suspended and detached from the ceiling

OVERALL SIZES

#7,8cm H25→100cm

BASE

#7,8 x 1,8cm

TECHNICAL DATA

This suspension includes :

A ceiling base with a fixing plate ([plan in PDF](#))

One set of two telescopic tubes

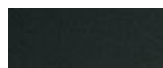
Suspension adjustable in height during installation

On request : a longer suspension tube

AVAILABLE METAL FINISHES AND CODES



01 - Structured white - 5478 001



02 - Structured black - 5478 002



25 - Brushed brass - 5478 025



28 - Light bronze - 5478 028



29 - Brushed bronze - 5478 029



32 - Brushed chrome - 5478 032

