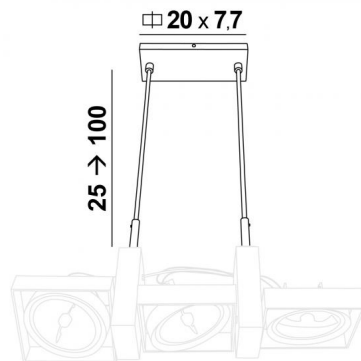




## SARGAS 3 SUSPENSION



SARGAS 3 in brushed bronze mounted on a SARGAS 3 SUSPENSION



Adjustable hanging system to add to a ceiling lamp SARGAS 3 and to use as a suspension

### OVERALL SIZES

H25 → 100 cm

### BASE

20 x 7,7 x 1,8 cm

### AVAILABLE METAL FINISHES AND CODES



29 - Brushed bronze - 5479 029



32 - Brushed chrome - 5479 032



HEIGHT  
ADJUSTABLE

