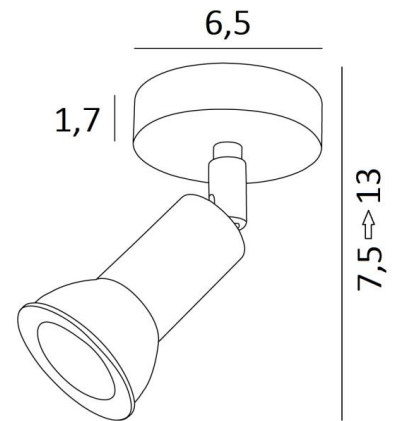




MERCURE ST



MERCURE ST in brushed bronze



MERCURE ST is a mini spotlight, placed on a small round base

This ceiling light is discreet and easy to install. He is a must to add more light to your interior. To increase its efficiency, there are GU10 bulbs of very high power and dimmable on the market

The originality of the **MERCURE** spotlight is its minimalist design. Closely surrounding the fitting and the lower part of the bulb, this spotlight is presented in a range of ten models, from one to six spots, distributed on round, square or rectangular bases

OVERALL SIZES

Ø6,5cm H7,5→13cm

BASE

Ø6,5 x 1,7cm

TECHNICAL DATA

One spotlight mounted on a 360° adjustable joint

Spotlight dimensions : Ø3cm L4,5cm

One GU10 fitting

No driver, this spotlight works directly on 230V

Dimmable spotlight

A fixing plate for the ceiling base ([plan in PDF](#))

AVAILABLE METAL FINISHES AND CODES



01 - Structured white - 5168 001



20 - Polished brass - 5168 020



29 - Brushed bronze - 5168 029



32 - Brushed chrome - 5168 032

