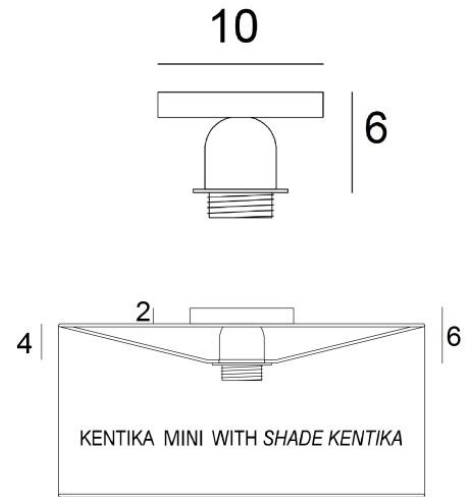




KENTIKA MINI



KENTIKA MINI in brushed bronze



KENTIKA MINI is a ceiling lamp, designed to be placed in all the lampshades with an E27 attachment. This ceiling light is also recommended for some lampshades of our model **NAPATA**. In our **LAMPSHADES TO HANG** range, the **TOUYA** and **KENTIKA lampshades** (with an E27 fitting) are adaptable to this **KENTIKA MINI** ceiling lamp. After installation, there will be a distance of two centimeters between the ceiling and the top of the lampshade.

OVERALL SIZES

H6cm Ø10cm

BASE

Ø10 x 2cm

TECHNICAL DATA

One metal E27 fitting with ring

Dimmable suspension

On request : another base

A fixing plate for the ceiling base ([plan in PDF](#))

In the category **LAMPSHADES TO HANG**, we present 15 lampshades with fixing E27 that are suitable for this suspension. They are divided into the two following families :

- **lampshades KENTIKA E27**

- **lampshades TOUYA E27**

The lampshade and the diffuser can easily be fitted after the luminaire has been fully installed.

AVAILABLE METAL FINISHES AND CODES



01 - Structured white - 4050 001



29 - Brushed bronze - 4050 029

