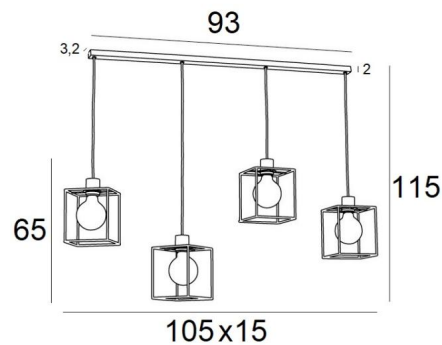




KERMA L 4



KERMA L 4 in brushed bronze with structures in black epoxy



The combination of four bulbs with small black structures has created a luminaire full of movement, imbalance and organized disorder. This is the originality of the **KERMA** suspension and the reason for its success

KERMA L 4 is a suspension lamp that can easily be placed in a hall or above a table

OVERALL SIZES

H115cm L105 x 15cm

BASE

93 x 3,2 x 2cm

TECHNICAL DATA

Four E27 fittings with ring

LED bulb Gold Ø125mm dim code 6834 000 (option)

Dimmable suspension

The bottom of the suspension is 160cm from the floor with a ceiling height of 275cm. On request, we can adapt the cables to another ceiling height. **ORDER FORM** to be filled in

A fixing plate for the ceiling base ([plan in PDF](#))

AVAILABLE METAL FINISHES AND CODES



25 - Brushed brass - 4934 025



29 - Brushed bronze - 4934 029

METAL STRUCTURES AND CODES

KERMA STRUCTURE : #15 - 15 - 17cm (x4)

Code : 4999 002 (black)

Code : 4999 025 (gold)



LIGHTING COLLECTION