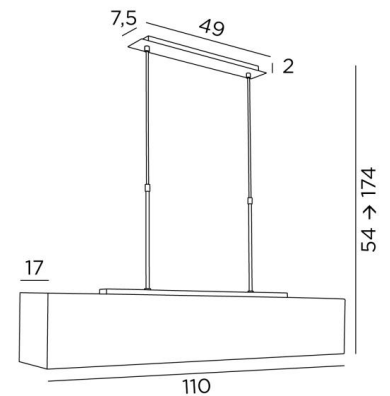




## HENOUTMIRE 3 + lampshade medium



HENOUTMIRE 3 in brushed bronze with lampshade MEDIUM in Lin Pompéi (fabric from category 2)



**HENOUTMIRE MEDIUM** is a magnificent long suspension lamp, ideal for placing above a rectangular table

Its straight rectangular lampshade is fitted with an opaline diffuser that allows the light to be subdued.

Don't hesitate to install a dimmer switch to enjoy your light at any time

Emblematic and timeless, this innovative creation was awarded the **Grand Prix** at the **Salon International Lumières Paris** in January 2000

This suspension is adjustable in height and exists with a different lampshade

### OVERALL SIZES

H54→174cm L110 x 17cm

### BASE

Plate : 49 x 7,5cm Box : 43,5 x 6 x 2cm

### TECHNICAL DATA

A diffuser with eyelets in Polycrystal is delivered with the lampshade

Three metal E27 fittings. Dimmable suspension

Hanger length : 70cm

Distance between fittings : 30cm

Distance between tubes : 40cm

Suspension adjustable in height during the installation

On request : longer suspension tubes

A fixing plate for the ceiling base ([plan in PDF](#))

### AVAILABLE METAL FINISHES AND CODES



29 - Brushed bronze - 4425 029



32 - Brushed chrome - 4425 032

### LAMPSHADE : SIZES & CODE

110x17 - 110x17 - 18cm

+ *diffuser eyelets*

Code: 4426 + fabric code

We propose more than 180 fabrics/materials/colors for lampshades

